



NTL-250 NTL-2250

AR111 Square Gimbal

LAMP WATTAGE

(1) 50AR111 M-P Multipurpose (Screw Terminal)

DESCRIPTION

Low voltage AR111 adjustable gimbal ring fixture. AR111 lamp clips directly into the adjustable gimbal ring. A steel yoke holds the gimbal ring in place and allows for full lateral aiming adjustment.

FEATURES

- High quality die cast construction
- Instant snap-in lamp installation
- Aesthetic swept wing shape
- Adjustable yoke for precision aiming
- High-strength stainless steel electrical contacts
- One or two circuit track capable

GIMBAL

.030 Baked enamel finished die cast gimbal. High-tension stainless steel ring secures AR111 light source.

YOKE

.085 Rigid steel bracket connects fixture housing to electrical contact head. Dual steel tightening knobs provides secure angle position.

SHIELD

.12 tempered heat resistant glass. Shield completely covers lamp face.

TRANSFORMER

Solid state electronic transformers provide noise-free voltage reduction and operation. If dimming, use electronic low voltage rated only dimming controls.

NTL-250:

Integral Unit - 120V/60Hz Input; 12V Output; 50VA Max. Load

NTL-2250 (requires separate transformer):

External Unit - NTL-2200/50: 120V/60Hz Input; 12V Output; 50VA Max. Load

WIRING

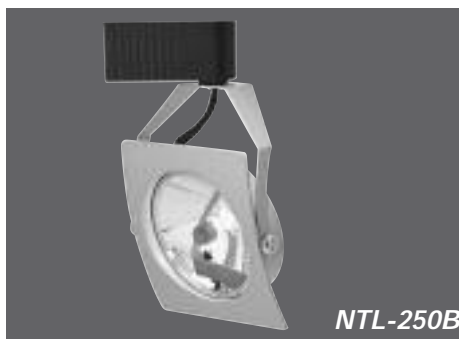
Teflon coated wire lead connects socket and housing to electrical contact head. Teflon coating is durable and resists heat degradation from lamp and housing radiation.

SOCKET

Stainless steel spring sockets allow AR111 lamp to snap into the socket housing without hard wiring the fixture to AR111 lamp terminals. Sockets are encased in a heavy duty .11 heat rated contoured plastic housing.

CONTACT HEAD ASSEMBLY

Three .030 stainless steel contacts mounted in high heat rated plastic housing.



PRODUCT MATRIX

CATALOG NUMBER	FINISH	BASE	WATT	VOLT	INTEGRAL TRANSFORMER	LAMP INCLUDED*
NTL-250	B, W, N	M-P	50	12	YES	NO
NTL-2250	B, W, N	M-P	50	12	NO*	NO

* NTL-2250 requires purchase of NTL-2200 transformer unit for operation.

DIMENSIONS

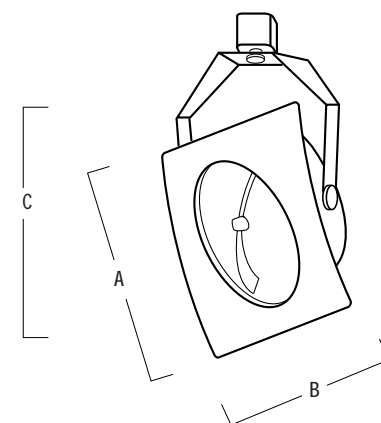
N T L - 2 5 0

A: Diameter	7-1/4"	(184 mm)
B: Length	2-1/4"	(57 mm)
C: Extension	7-1/2"	(191 mm)

N T L - 2 2 5 0 *

A: Diameter	7-1/4"	(184 mm)
B: Length	2-1/4"	(57 mm)
C: Extension*	8-3/4"	(22 cm)

* Extension includes NTL-2200 transformer which is required for use with NTL-2250



ONE/TWO CIRCUIT CONVERSION

Positive contact (opposite neutral and ground contacts) is preset to "down" position at factory, but may be raised to the higher position to install onto the second circuit of Nora Lighting NT-2300 series two-circuit track.

FINISHES

White or Black heat rated baked enamel paint. Natural aluminum finish is also available immediately. Custom finishes require lead times that vary depending on vendor schedules. Please consult factory for quotation, and provide either a Dunn Edwards number or color chip for exact matching.

COMPATIBILITY

Nora track fixtures are interchangeable with Halo, Catalina, Hampton Bay, Halo-Edison, or any other brands configured to Halo track system design.

Note: fixtures may not be compatible with non-Nora transformers or monopoint adapters.

UL LISTED

UL Listed as track lighting fitting

ACCESSORIES

Transformers (required for NTL-2250)
50VANTL-2200/50(B,W)
Custom FinishesConsult Factory

