



NTL-225

AR111 Low Profile Gimbal

LAMP WATTAGE

(1) 50AR111 M-P Multipurpose (Screw Terminal)

DESCRIPTION

Low profile 12V AR111 gimbal fixture. Fixture face is round, with integral glass shield. Gimbal is positioned horizontally to the transformer to reduce the maximum extension from the ceiling as much as possible. Transformer enclosure is die cast aluminum for superior heat dissipation. Ideal for use in high ceilings in areas such as lobbies, showrooms, museums, etc.

FEATURES

- Die cast aluminum gimbal ring and transformer enclosure
- Low profile, aesthetic design
- High-strength stainless steel electrical contacts
- High Tension Spring Steel Lamp Clips
- High Performance AR111 Light Source
- One or two circuit track capable

GIMBAL

.20 Die cast aluminum powdercoat finished gimbal. High-tension steel clips secure AR111 light source in place. Gimbal terminates at a short two-piece 1/2" cylinder that connects to the die cast transformer enclosure. Cylinder is split by a washer that provides smooth rotations and friction hold of fixture's tilt angle.

SHIELD

.12 Tempered heat resistant glass. Shield held permanently in place with tooled lower portion of lamp clips; clips can be removed in the event of accidental breakage of shield. Shield is convex shaped, and covers entire face of AR111 light source, reducing UV radiation and capturing glass in the rare event of light source's mechanical failure.

SOCKET CUP

.10 Injection molded pre-colored polycarbonate in black or white. As resin material itself is pre-colored, there is no concern with paint flaking or rejection by plastic.

TRANSFORMER ENCLOSURE

.20 Two-piece die cast aluminum construction. Design is 7-faced polygon widest at the top at two inches, then stepping down in size twice to a mere 1-1/8 inches at the bottom. Enclosure is 1-7/8" thick, enough to accommodate internal electronic transformer. Diagonal lines in both faces provide some additional heat dissipation as well as architectural detail.

TRANSFORMER

Solid state electronic transformer provides noise-free voltage reduction and operation. If dimming, use electronic low voltage rated only dimming controls.

**If dimming, Osram/Sylvania recommends burning the AR111 at full power for 100 consecutive hours prior to using dimming control. Failure to apply this precaution may reduce lamp life.*

Integral Unit - 120V/60Hz Input; 12V Output; 50VA Max. Load



PRODUCT MATRIX

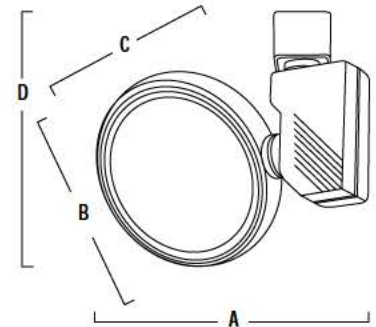
CATALOG NUMBER	FINISH	BASE	WATT	VOLT	INTEGRAL TRANSFORMER	LAMP INCLUDED*
NTL-225B	Black	M-P	50	12	YES	NO
NTL-225S	Silver	M-P	50	12	YES	NO

DIMENSIONS

NTL - 225 B

A: Span	7-3/8"	(188 mm)
B: Diameter	5-1/8"	(131 mm)
C: Length	3-1/4"	(83 mm)
D: Extension	5-1/2"	(140 mm)

Note: All dimensions include transformer and AR111 light source



WIRING

Teflon coated wire lead carries socket wiring from rear of socket to transformer enclosure. Teflon coating is durable and resists heat and UV degradation caused by lamp radiation.

SOCKET

Copper spade sockets are perfectly sized to the width of the M-P terminals on the AR111 light source, allowing instantaneous installation to lamp without tools.

CONTACT HEAD ASSEMBLY

Three .030 stainless steel contacts mounted in high heat rated plastic housing.

ONE/TWO CIRCUIT CONVERSION

Positive contact (opposite neutral and ground contacts) is preset to "down" position at factory, but may be raised to the higher position to install onto the second circuit of Nora Lighting NT-2300 series two-circuit track.

FINISHES

Socket cup and contact head are black colored resin material. Gimbal ring and transformer are black or silver powdercoat finish. Custom finish fixtures require lead times that vary depending on finishing vendors for stripping existing finish, refinishing to customer specification, then final re-assembly by Nora Lighting personnel. Please consult factory for quotation, providing a Dunn Edwards color chip or number for exact match.

COMPATIBILITY

Nora track fixtures are interchangeable with Halo, Catalina, Hampton Bay, Halo-Edison, or any other brands configured to Halo track system design. Note: fixtures may not be compatible with non-Nora transformers or monopoint adapters. UL Compliant ETL Listed to UL1574 Requirements for Track Lighting Systems and Fittings

ACCESSORIES

Custom Finish.....Consult Factory