

WP2000

Flexi-Guard Outlet Post

While In-Use Cover

Weatherproof

APPLICATIONS

Provides a new, code compliant solution for supplying power to gardens and other out-of-the-way areas

A remotely mounted energy saving photo control and/or timer also available to activate area lighting

SPECIFICATIONS

- Patented single gang inserts for GFCI, duplex, single receptacles, toggle switch and blank
- Provisions for installing mechanical or digital timers to control area lighting:
 - **PB912M10R**: 24 hour, 120 Volt mechanical timer—allows for 2 ON/OFF daily cycles
 - **PB313K**: 24 hour, 120 Volt electronic timer—allows for 8 ON/OFF daily cycles(Timers sold separately)
- Provisions for fixed-position, stem-mounting and stem & swivel mounting photo controls to control area lighting
- All ports accept 1/2", 3/4", or 1" PVC conduit (adaptors included)
- Base includes mounting holes and template for optional concrete/pavement mounting
- Cover includes lockable hasp

Warranty: Limited 1 year warranty

Shipping weight: 3 lbs.

Agency Listing:  

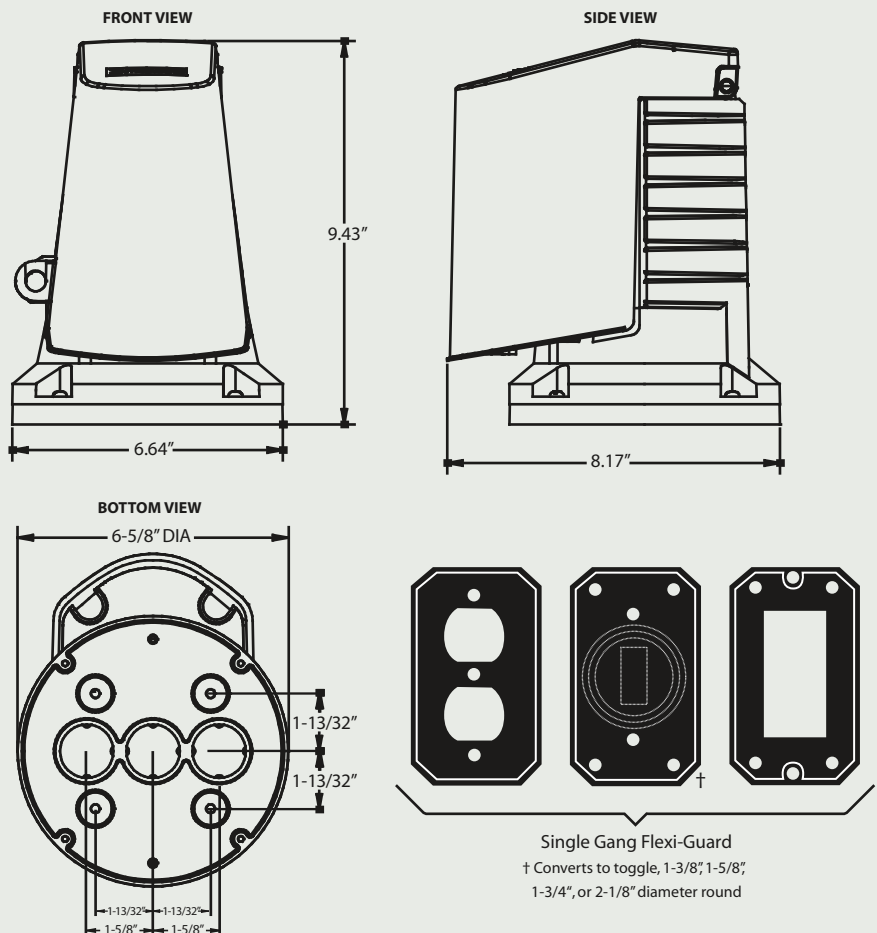
PRODUCT FEATURES

- Complies with 2005 NEC® Article 406.8(B)(1)
- Heavy duty PVC construction for long lasting durability



GFCI DEVICE SHOWN
NOT INCLUDED

DIMENSIONS



Intermatic, Inc.
7777 Winn Road
Spring Grove, Illinois 60081-9698

www.intermatic.com
Intermatic Customer Service: 815-675-7000
(8 a.m. through 4:30 p.m. CST, Monday through Friday)

©2005 Intermatic, Inc.
Printed in the U.S.A.

300WP10039