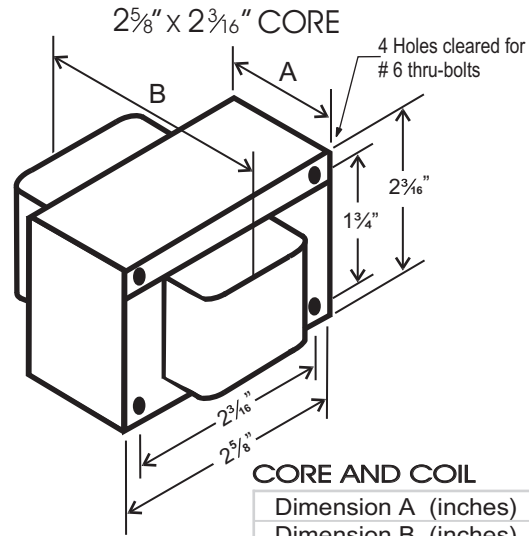


CATALOG NUMBER: E-SRN00F150 FOR ONE 150 WATT, S55 HIGH PRESSURE SODIUM LAMP

Line Voltage	120V
Regulation	
Line Volts	+/- 5%
Lamp Watts	WITHIN TRAPEZOID
Frequency	60 Hz
Circuit Type	R-NPF (HPF WITH CAPACITOR)
Power Factor (min)	90% MIN. WITH CAP.
Insulation Class	H(180°)
Min. Ambient Starting Temp.	-40° F or -40° C

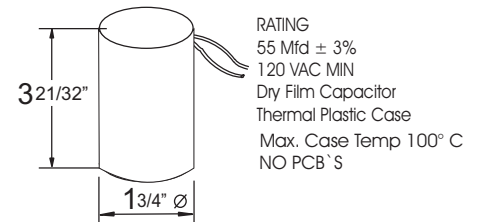
Line Voltage (Volts)	120	120
Line Current (Amps)	NPF	HPF
Operating	3.20	1.50
Open Circuit	0	2.52
Starting	4.73	2.25
Input Watts (W)	170	170
Open Circuit Voltage (V)	120	120
Drop Out Voltage (V)	95	95
UL(1029) Bench Top Rise	A	A
Recommended Fuse (Amps)	15	8
HIGH POTENTIAL TEST (VOLTS)		
1 Minute	2000	
2 Seconds	2500	
Open Circuit Voltage Test (volts)	114-126	
Short-Circuit Current Test (Amps)		
Secondary Current	3.92-6.6	
	3.92 -	1.73 -
Input Current (Amps)	6.6	3.97



CORE AND COIL

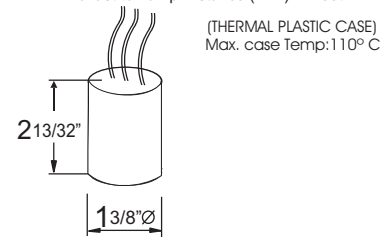
Dimension A (inches)	2.02
Dimension B (inches)	3.40
Weight (Lbs)	3.60
Lead Lengths (inches)	12

CAPACITOR



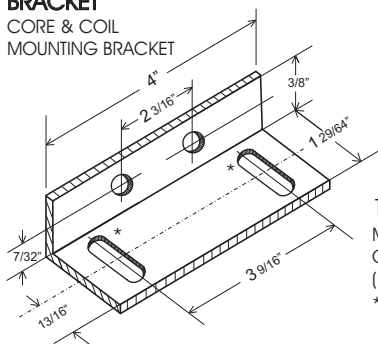
IGNITOR 37-63-AS-11.1-N

Ballast to Lamp Distance (BTL): 2 feet



BRACKET

CORE & COIL
MOUNTING BRACKET



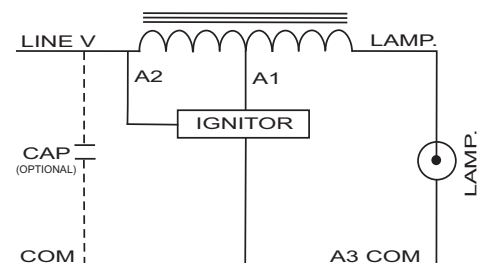
1353
Mounting bracket for
Core & Coil Ballasts
(1 bracket with thru bolts)
* 1/4" x 1 1/8" 2 SLOTS



C-01

MOUNTING CLIP for round case (Furnished as standard with B suffix ballast)

WIRING DIAGRAM



ORDERING INFORMATION

*** Add proper suffix to catalog number when ordering as indicated below:

- No suffix = Core and Coil Only
- B = Core and Coil, and Bracket
- C = Core and Coil, and Capacitor
- BC = Core and Coil, Capacitor and Bracket

Data is based upon tests performed by Industrias Sola Basic in a controlled environment and representative of relative performance. Actual Performance can vary depending on operating conditions. Specifications are subject to change without notice.

ISO 9001:2000

