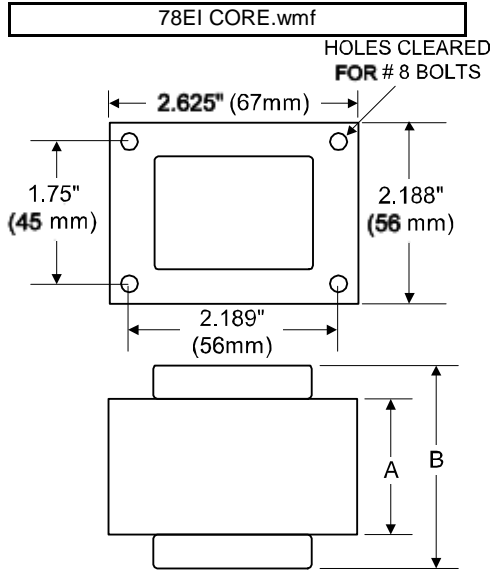




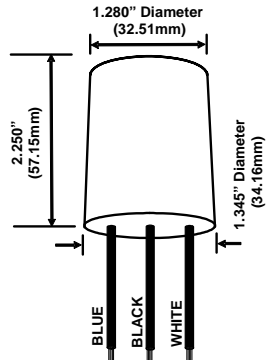
**BALLAST SPECIFICATION**

**100W S54**  
**High Pressure Sodium**  
**V90B1322-NPF**  
**60 Hz Reactor-NPF**

<b>Input Volts</b>	120
<b>Line Current ( Amps )</b>	
Operating	2.15
Open Circuit	
Starting	1.80
<b>Recommended Fuse (Amps)</b>	6
<b>Regulation</b>	
Line Volts	±5%
Lamp Watts	±8%
<b>Temperature Ratings</b>	
Insulation Class	180 (H)
Coil Temperature Code	E
Benchtop Coil Rise	
<b>Power Factor (Min)</b>	40%
<b>Input Watts</b>	118 W
<b>Efficiency</b>	
<b>NOM. Open Circuit Voltage</b>	120
<b>Input Voltage At Lamp Dropout</b>	
<b>Min Ambient Starting Temp</b>	-40°F/-40°C
<b>60 HZ TEST PROCEDURES</b>	
<b>High Potential Test (Volts)</b>	
1 Minute	2,000 V
1 Second	2,500 V
<b>Open Circuit Voltage Test (V)</b>	110 - 135
<b>Short Circuit Current Test (A)</b>	
Secondary Current	Min .00 Max .00
Input Current	Min Max
<b>CORE and COIL Specifications</b>	
Dimension (A)	1.48 in
Dimension (B)	2.75 in
Weight	3.0 lb's
Lead Lengths	12"
<b>Capacitor Requirement</b>	
Microfarads	
Volts (Min)	



<b>Capacitor:</b>	NONE	<b>Ignitor:</b>	BVS-004-A
<b>Volts (Max):</b>	V	<b>Case Temp (Max):</b>	105 °C
		<b>BTL Distance (Max):</b>	12 ft



This Ballast Does Not Require A Capacitor

**Ordering Information**    Add Suffix for options  
C - With Capacitor  
K - Prewired, with Capacitor and Bracket Kit  
B - With Welded Bracket, no cap  
CB - With Capacitor and Welded Bracket

RoHS compliant on all manufactured products after August 1, 2007  
Data is based upon tests performed by Venture Lighting in a controlled environment and is representative of relative performance. Actual performance can vary depending on operating conditions. Specifications are subject to change without notice.

