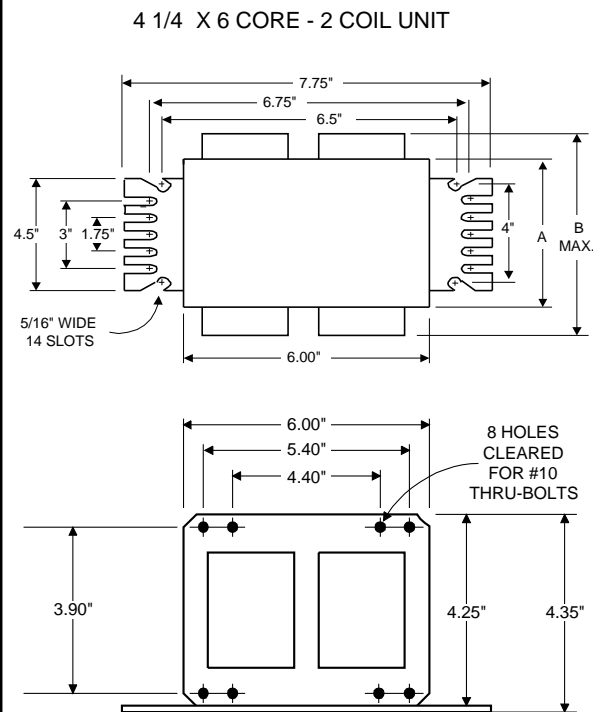
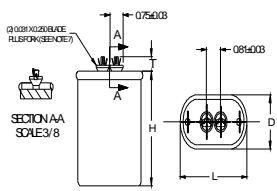


**DIMENSIONS AND DATA**



INPUT VOLTS	480				
CIRCUIT TYPE	CWA				
POWER FACTOR (min)	90%				
REGULATION					
Line Volts	±10%				
Lamp Watts	±12%				
LINE CURRENT (Amps)					
Operating.....	3.40				
Open Circuit.....	1.40				
Starting.....	3.30				
UL TEMPERATURE RATINGS					
Insulation Class	H(180°C)				
Coil Temperature Code	1029	E			
MIN. AMBIENT STARTING TEMP.	-20°F or -30°C				
NOM. OPEN CIRCUIT VOLTAGE	450				
INPUT VOLTAGE AT LAMP DROPOUT.....	320				
INPUT WATTS	1625				
RECOMMENDED FUSE (Amps).....	10				
CORE and COIL					
Dimension (A)	4.20				
Dimension (B)	6.20				
Weight (lbs.)	31				
Lead Lengths	12"				
CAPACITOR REQUIREMENT					
Microfarads	32.0				
Volts (min.)	525				
Fault Current Withstand (amps)					
60 Hz TEST PROCEDURES (Refer to Philips Lighting Electronics N.A. TEST Procedure for HID Ballasts - Form 127 High Potential Test (Volts)					
1 minute	2000				
2 seconds	2500				
Open Circuit Voltage Test (Volts)	405-495				
Short-Circuit Current Test (Amps)					
Secondary Current	7.40-9.00				
Input Current.....	2.40-3.70	-	-	-	-

Capacitor: MD3202-100



Capacitance: 32  
Dia/Oval Dim: 1.75  
Height: 5.3  
Temp Rating: 90°C

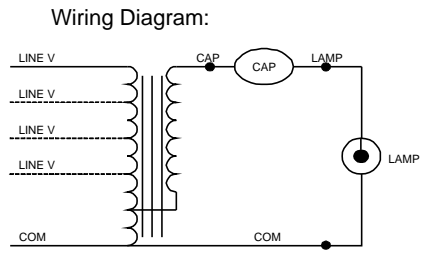


Fig. A

**Typical Ordering Information**

(please call Philips Lighting Electronics N.A. for suffix availability)

Order Suffix	Description
--------------	-------------

Ignitor: NA

This ballast does not require the use of an ignitor.

Data is based upon tests performed by Philips Lighting Electronics N.A. in a controlled environment and is representative of relative performance. Actual performance can vary depending on operating conditions. Specifications are subject to change without notice.