

# 1500W M48

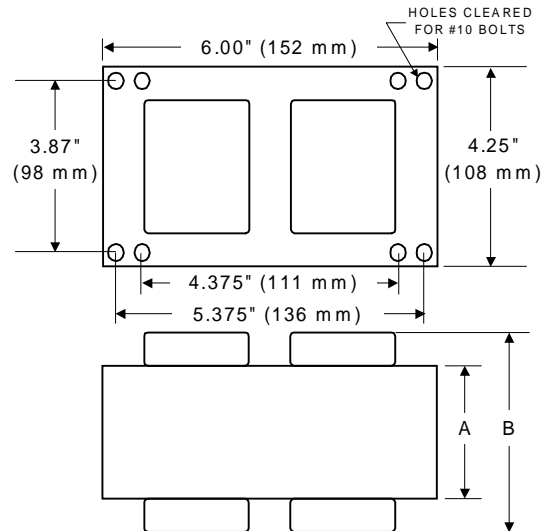
**Metal Halide**

**V90D6612**

**60 Hz CWA**

Input Volts	120	208	240	277
Line Current ( Amps )				
Operating	13.40	7.75	6.70	5.80
Open Circuit	6.30	3.65	3.15	2.75
Starting	11.30	6.50	5.65	4.90
Regulation				
Line Volts	±10%	±10%	±10%	±10%
Lamp Watts	±12%	±12%	±12%	±12%
UL Temperature Ratings				
Insulation Class	H	H	H	H
Coil Temperature Code	G	E	E	E
Benchtop Coil Rise	101.6	90.4	92.4	93.4
Input Watts	1605 W	1605 W	1605 W	1605 W
NOM. Open Circuit Voltage	440	440	440	440
Power Factor	90%	90%	90%	90%
Current Crest Factor	1.65	1.65	1.65	1.65
Input Voltage At Lamp Dropout	80	140	160	185
MIN. Ambient Starting Temp.	-20°F -30°C	-20°F -30°C	-20°F -30°C	-20°F -30°C
60 HZ TEST PROCEDURES				
High Potential Test (Volts)				
1 Minute	2,000 V	2,000 V	2,000 V	2,000 V
1 Second	2,500 V	2,500 V	2,500 V	2,500 V
Open Circuit Voltage Test (V)	385 - 475	385 - 475	385 - 475	385 - 475
Short Circuit Current Test (A)				
Secondary Current Min	7.30	7.30	7.30	7.30
Max	9.00	9.00	9.00	9.00
Input Current Min	9.90	5.70	4.95	4.30
Max	12.10	7.05	6.05	5.30
Recommended Fuse (Amps)	34	19	17	15
CORE and COIL Specifications				
Dimension (A)	4.10 in	4.10 in	4.10 in	4.10 in
Dimension (B)	6.10 in	6.10 in	6.10 in	6.10 in
Weight (lbs.)	31.0 lb's	31.0 lb's	31.0 lb's	31.0 lb's
Lead Lengths	12"	12"	12"	12"
CAPACITOR Specifications				
Microfarads	32.0 uf	32.0 uf	32.0 uf	32.0 uf
Volts (min.)	525 V	525 V	525 V	525 V

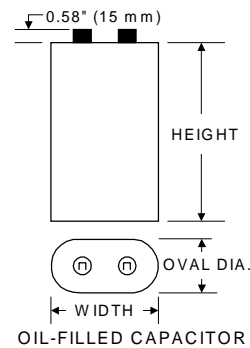
**4X6 CORE - HX, CWA & CWI UNITS**



**Capacitor: ACB2560V**

**Ignitor: None**

Temp Rating: 90 °C  
Height: 4.44 in  
Dia/Oval Dim 2.03 in  
Width 3.72



**Ordering Information Add Suffix for options**

- C - With Capacitor
- K - With Capacitor and Bracket Kit
- B - With Welded Bracket no cap

Data is based upon tests performed by Venture Lighting in a controlled environment and is representative of relative performance. Actual performance can vary depending on operating conditions. Specifications are subject to change without notice

**1/25/01 Production**

