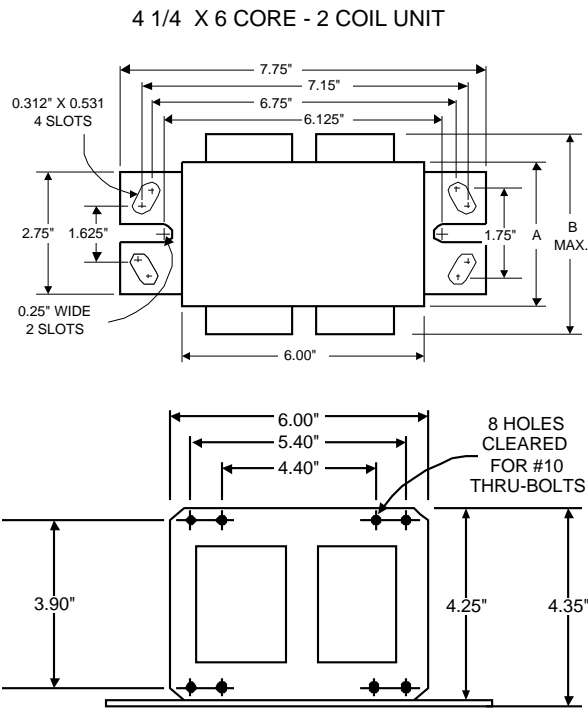




**Metal
Halide
Lamp Ballast**

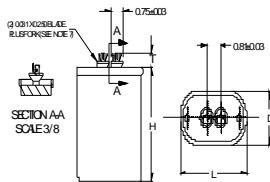
**Catalog Number 71A6542
For 1000W M47
60 Hz CWA
Status: Active**

DIMENSIONS AND DATA



INPUT VOLTS	480			
CIRCUIT TYPE	CWA			
POWER FACTOR (min)	90%			
REGULATION				
Line Volts	±10%			
Lamp Watts	±10%			
LINE CURRENT (Amps)				
Operating.....	2.25			
Open Circuit.....	1.20			
Starting.....	1.90			
UL TEMPERATURE RATINGS				
Insulation Class	H(180°C)			
Coil Temperature Code	1029	D		
MIN. AMBIENT STARTING TEMP.	-20°F or -30°C			
NOM. OPEN CIRCUIT VOLTAGE	430			
INPUT VOLTAGE AT LAMP DROPOUT.....	336			
INPUT WATTS	1080			
RECOMMENDED FUSE (Amps).....	6			
CORE and COIL				
Dimension (A)	2.60			
Dimension (B)	4.50			
Weight (lbs.)	21			
Lead Lengths	12"			
CAPACITOR REQUIREMENT				
Microfarads	24.0			
Volts (min.)	480			
Fault Current Withstand (amps)				
60 Hz TEST PROCEDURES (Refer to Advance Test Procedure for HID Ballasts - Form 1270)				
High Potential Test (Volts)				
1 minute	2000			
2 seconds	2500			
Open Circuit Voltage Test (Volts)	385-475			
Short-Circuit Current Test (Amps)				
Secondary Current	5.20-6.40			
Input Current.....	1.40	-	-	-
	2.15			

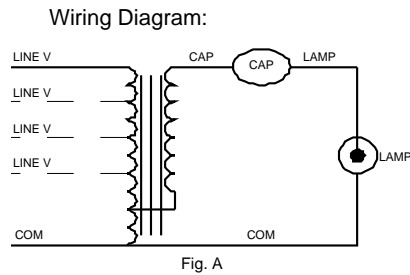
Capacitor: MD2409-100



Capacitance: 24
Dia/Oval Dim: 1.75
Height: 3.9
Temp Rating: 90°C

Ignitor: NA

This ballast does not require the use of an ignitor.



Typical Ordering Information

(please call Advance for suffix availability)

Order Suffix	Description
500	Ballast with Oil-Filled Capacitor
510	Ballast w/Welded Bracket and Oil-Filled Capacitor
600	Ballast Only, No Capacitor
610	Ballast with Welded Bracket, No Capacitor

Data is based upon tests performed by Advance Transformer in a controlled environment and representative of relative performance. Actual performance can vary depending on operating conditions. Specifications are subject to change without notice.

ADVANCE

O'HARE INTERNATIONAL CENTER · 10275 WEST HIGGINS ROAD · ROSEMONT, IL 60018
Customer Support/Technical Service: Phone: 800-372-3331 · Fax: 630-307-3071
Corporate Offices: Phone: 800-322-2086

06/01/04