

6/25/2012

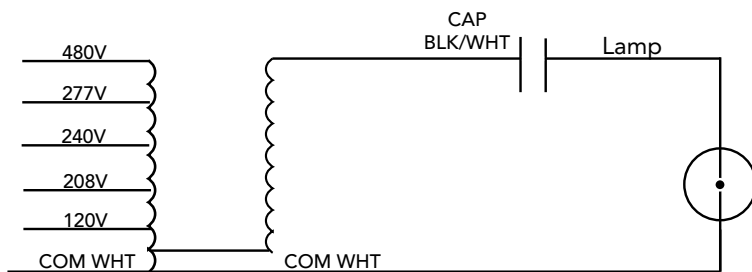
**1000 Watt M47 60Hz  
Metal Halide**

Project:	
Catalog#:	
Approved by:	

Input Volts (60 hz)	120	208	240	277	480
Input Watts	1100	1100	1100	1100	1100
Approx. Line Current (Amps)*	9.2	5.3	4.6	4.0	2.3
Circuit Type	CWA				
ANSI	M47				
Insulation Class	Class H				
Power Factor	> 90%				
Regulation	Line Volts: ±10% Lamp Watts: ±10%				
Min. Ambient Starting Temp.	-20°F/-30°C				
High Potential Test (Volts)	1 Minute: 2000 1 Second: 2400				
Lead Lengths (inches)	12				
UL Temperature Ratings*	1029D				
Capacitor	24.0/480v min				

\* See Ballast Label for exact values and additional information

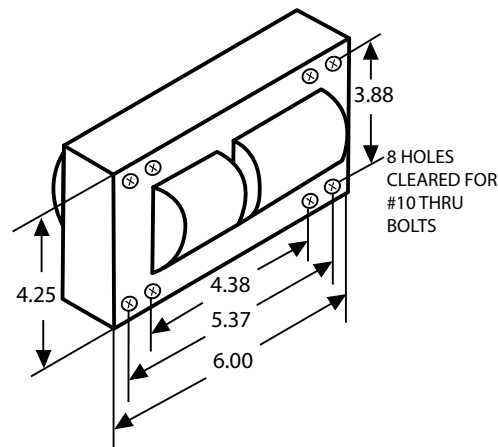
**WIRING DIAGRAM**



**HID Ballast Kit**

- Ballast
- Capacitor
- Mounting Bracket

**DIMENSIONAL DRAWING**



Specifications subject to change without notice.

