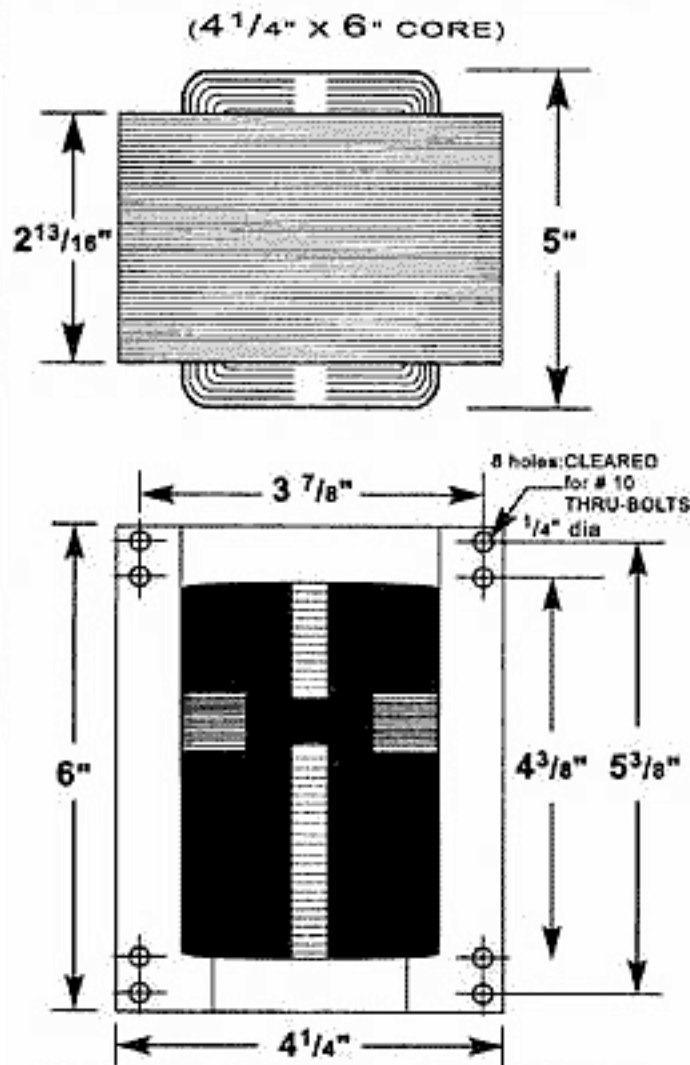


CORE AND COIL

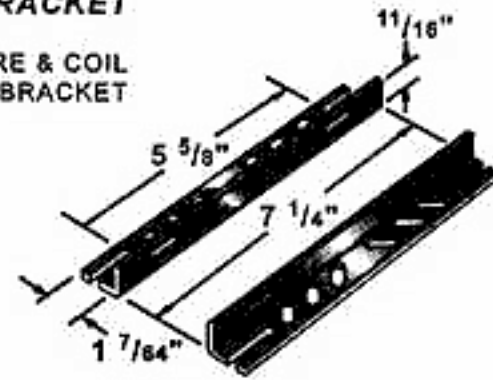


SOLA ballast leads wires are properly identified indicating on their surfaces the input voltages. ALL LEAD LENGTHS: 12 INCHES

TECHNICAL SPECIFICATION SHEET

1000 WATT, MH M47 CWA
BALLAST E-871-XX-211 60Hz.

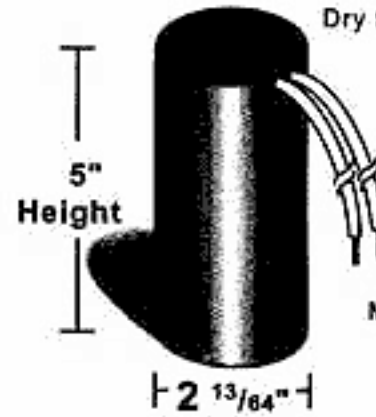
BRACKET
CORE & COIL
MOUNTING BRACKET



KB47
Mounting bracket for
Core & Coil Ballasts
(2 brackets with thru bolts)

CAPACITOR
RATING 24 MFD±3%
480 VAC, MIN

Dry Film Capacitors
Thermal Plastic Case

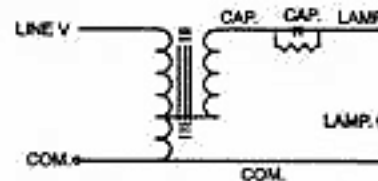


Dry film capacitor contains
no oil; are furnished
with 12" leads and
includes discharge
resistor

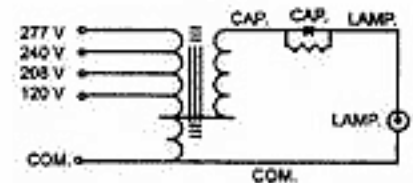
Max. case temp. 110°

C-01

MOUNTING CLIP for round
case (Furnished as standard
with B suffix ballasts)



SINGLE VOLTAGE



MULTI VOLTAGE
120/208/240/277 VOLT CONNECTION

ELECTRICAL CHARACTERISTICS

INPUT VOLTAGE: HIGH
POWER FACTOR: ±10%
MIN. STARTING TEMP.: -20°C

Line Voltage	Catalog Number	Circuit Type	Input Watts	Line Current (AMPS)			Ballast Net Weight (lbs)	UL Bench Top Rise Code 1029
				Operating	Open Circuit	Short Circuit		
208	E-871-R-211	CWA	1080	5.0	3.0	3.4	421 75 40 28	C
240	E-871-M-211	CWA	1080	4.5	3.1	3	421 150 20 28	C
277	E-871-T-211	CWA	1080	3.9	2.8	2.55	421 165 20 28	C
120 or 208 or 240 or 277	E-871-W-211	CWA	1080	9.0	5.8	5.8	421 75 40 28	C

ORDERING INFORMATION

***Add proper suffix to catalog number when ordering as indicated below:
No suffix= Core and Coil Only
B= Core and Coil, and Bracket
C= Core and Coil, and Capacitor
BC= Core and Coil, Capacitor and Bracket

File No. E182278



ISB SOLA BASIC[®]
BALLASTS

Lighting Source, Inc.
6064 Jerome Trail
Dallas, TX 75252
Tel: (888) 385-4448 (972) 248-4448
Fax: (972) 248-4748
E-mail: lighting@airmail.net
Website: www.ballastsource.com