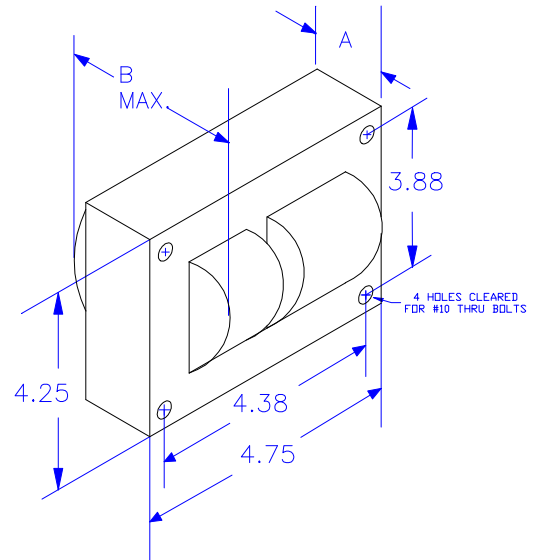
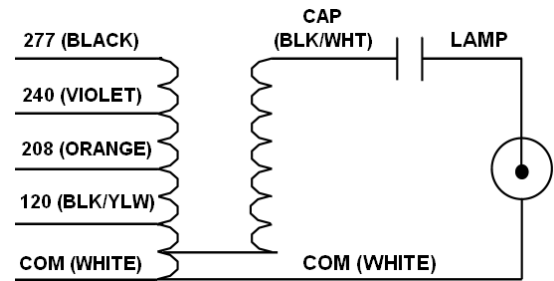


Input Volts		120	208	240	277
Circuit Type	CWA				
Power Factor	> 90%				
Regulation					
Line Volts	± 10 %				
Lamp Watts	- 10 % + 10 %				
Line Current (Amps)					
Operating		4.0	2.3	2.0	1.8
Open Circuit		3.7	2.2	1.9	1.7
Starting		3.2	1.9	1.6	1.4
Recommended Fuse		10	8	5	5
UL Temperature Ratings					
Insulation Class	H (180°C)				
Coil Temperature Code	D	D	D	D	D
Benchtop Coil Rise Primary	< 115	< 115	< 115	< 115	< 115
Benchtop Coil Rise Secondary	< 115	< 115	< 115	< 115	< 115
Input Watts		453	453	453	453
NOM Open Circuit Volts	300				
Current Crest Factor	1.65				
Input Voltage at Lamp Dropout		60	104	120	139
Min Ambient Starting Temp.	-20F -30°C				
High Potential Test (Volts)					
1 Minute	1650				
1 Second	2000				
Open Circuit Voltage Test (Volts)					
Open Circuit Voltage	280 - 340				
Input Current	min	2.8	1.6	1.4	1.3
	max	4.7	2.7	2.4	2.1
Short Circuit Current Test (Amps)					
Secondary Current	3.2 - 5.0				
Input Current	min	2.4	1.4	1.2	1.0
	max	4.0	2.3	2.0	1.8
Core and Coil Specifications					
Dimension A"	2.2				
Dimension B"	4.2				
Weight (lbs.)	11				
Lead Lengths (in)	12				
Capacitor Specifications					
Microfarads	24				
Volts (min.)	400				
	Oval OIL Filled DRY Film				
Case Size (in.)	1.75 1.8				
Height (in.)	3.87 5.2				
Temp Rating °C	90 100				
Starter Specifications					
Model Number	Not Used				
	BTL				
Temp Rating °C					

Wiring Diagram



Rev. Date: 7/28/2009

Test Ref.: Validation

Specifications subject to change without notice.

Howard Industries, Inc. Ballast Products Division P.O. Box 1590 Laurel, MS 39441
Phone: 1-800-956-3456 Fax: (601) 422-1652 www.howardlightingproducts.com