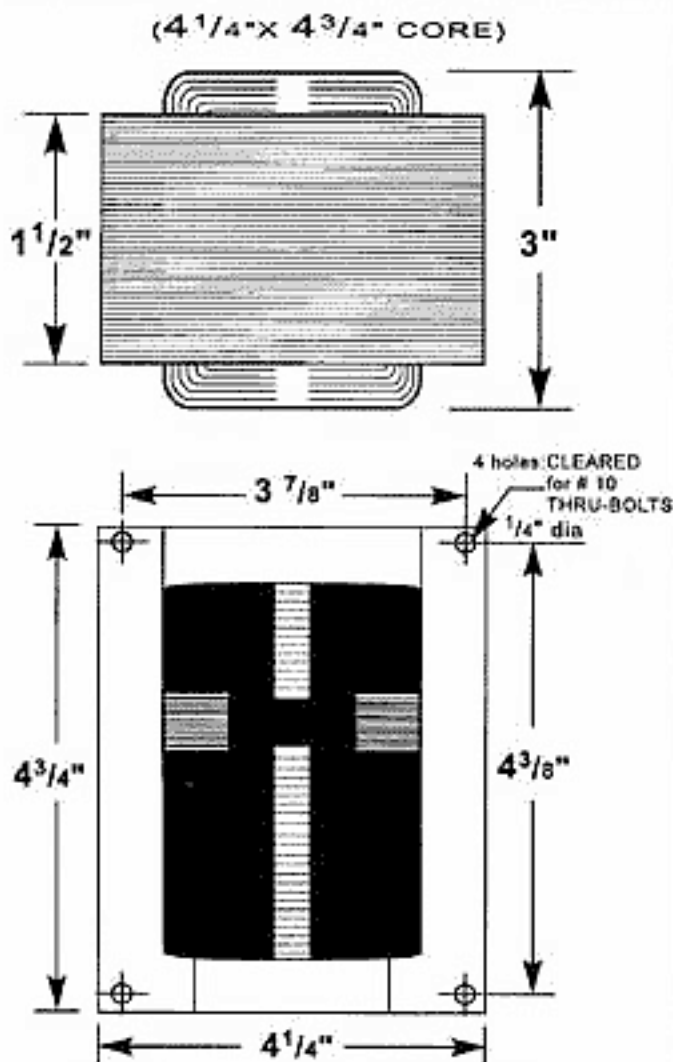


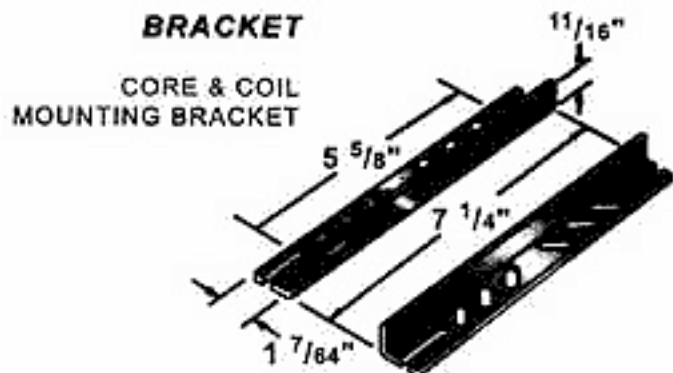
CORE AND COIL



SOLA ballast leads wires are properly identified indicating on their surfaces the input voltages. ALL LEAD LENGTHS: 12 INCHES

TECHNICAL SPECIFICATION SHEET

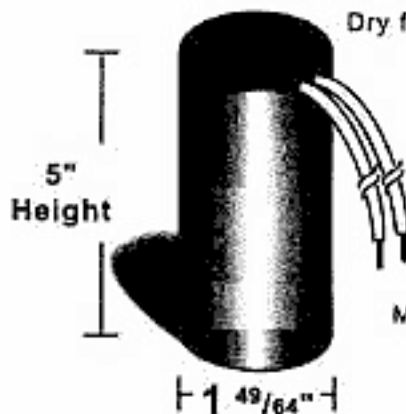
250 WATT, MH M58 CWA BALLAST E-871-XX-251 60Hz.



KB47
Mounting bracket for Core & Coil Ballasts (2 brackets with thru bolts)

CAPACITOR
RATING 15 MFD±3%
400 VAC, MIN

Dry Film Capacitors
Terral Plastic Case

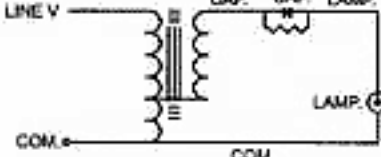


Dry film capacitor contains no oil; are furnished with 12\"/>

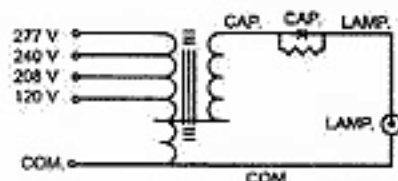
Max. case temp. 110°

ELECTRICAL CHARACTERISTICS

INPUT VOLTAGE RANGE	
POWER FACTOR	HIGH ±10%
MIN. STARTING TEMP.	-20°C



SINGLE VOLTAGE



MULTI VOLTAGE
120/208/240/277 VOLT CONNECTION

C-01

MOUNTING CLIP for round case (Furnished as standard with B suffix ballasts)



Line Voltage	Catalog Number	Circuit Type	Input Watts	Line Current (AMPS)			Ballast Net Weight (lbs)	UL Bench Top Rise Code 1079			
				Operating	Open Circuit	Starting					
208	E-871-R-251	CWA	292	1.45	1.7	0.83	300	85	5	11.6	A
277	E-871-T-251	CWA	292	1.1	1.28	0.60	300	110	3	11.6	A
120 or 208 or 240 or 277	E-871-W-251	CWA	292	2.5	2.6	1.51	300	55	8	11.6	A
		CWA	292	1.45	1.7	0.83	300	85	5	11.6	A
		CWA	292	1.1	1.42	0.74	300	95	5	11.6	A
		CWA	292	0.63	0.98	0.60	300	110	3	11.6	A

ORDERING INFORMATION

***Add proper suffix to catalog number when ordering as indicated below:
 No suffix= Core and Coil Only
 B= Core and Coil, and Bracket
 C= Core and Coil, and Capacitor
 BC= Core and Coil, Capacitor and Bracket

File No. E182278

ISB SOLA BASIC BALLASTS

Lighting Source, Inc.
 6064 Jerome Trail
 Dallas, TX 75252
 Tel: (888) 385-4448 (972) 248-4748
 Fax: (972) 248-4748
 E-mail: lighting@airmail.net
 Website: www.ballastsource.com