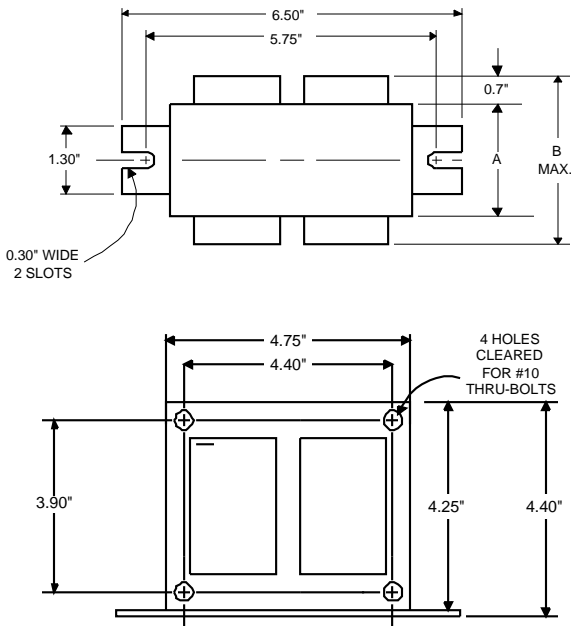


DIMENSIONS AND DATA

4 1/4 X 4 3/4 CORE - 2 COIL UNIT



Capacitor: 7C150P40-R



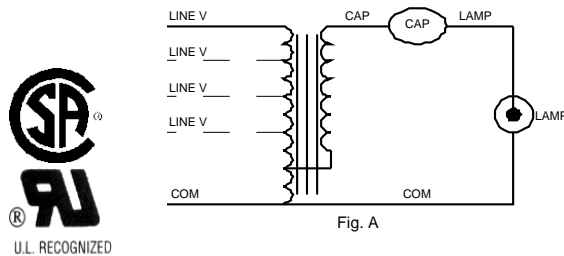
Capacitance: 15
Dia/Oval Dim: 1.75
Height: 3.75
Temp Rating: 105°C

Ignitor: NA

This ballast does not require the use of an ignitor.

		120	208	240	277
INPUT VOLTS					
CIRCUIT TYPE	CWA				
POWER FACTOR (min)	90%				
REGULATION					
Line Volts	±10%				
Lamp Watts	±10%				
LINE CURRENT (Amps)					
Operating.....		2.50	1.45	1.25	1.10
Open Circuit.....		1.70	1.00	0.85	0.75
Starting.....		2.20	1.30	1.10	1.00
UL TEMPERATURE RATINGS					
Insulation Class	H(180°C)				
Coil Temperature Code	1029				
MIN. AMBIENT STARTING TEMP.	-20°F or -30°C	B	B	B	B
NOM. OPEN CIRCUIT VOLTAGE	300				
INPUT VOLTAGE AT LAMP DROPOUT.....		60	104	120	138
INPUT WATTS	298				
RECOMMENDED FUSE (Amps).....		8	5	5	3
CORE and COIL					
Dimension (A)	1.60				
Dimension (B)	3.15				
Weight (lbs.)	8				
Lead Lengths	TERM"				
CAPACITOR REQUIREMENT					
Microfarads	15.0				
Volts (min.)	400				
Fault Current Withstand (amps)					
60 Hz TEST PROCEDURES (Refer to Philips Lighting Electronics N.A. TEST Procedure for HID Ballasts - Form High Potential Test (Volts)					
1 minute	2000				
2 seconds	2500				
Open Circuit Voltage Test (Volts)	270-330				
Short-Circuit Current Test (Amps)	2.25-2.75				
Secondary Current					
Input Current.....		1.90	1.10	0.95	0.80
		2.70	1.70	1.35	1.20

Wiring Diagram:



Typical Ordering Information

(please call Philips Lighting Electronics N.A. for suffix availability)

Order Suffix	Description
510D	Ballast w/Welded Bracket & Dry Film Capacitor
600	Ballast Only, No Capacitor
610	Ballast with Welded Bracket, No Capacitor

Data is based upon tests performed by Philips Lighting Electronics N.A. in a controlled environment and is representative of relative performance. Actual performance can vary depending on operating conditions. Specifications are subject to change without notice.

PHILIPS LIGHTING ELECTRONICS N.A.

10275 WEST HIGGINS ROAD · ROSEMONT, IL 60018

Tel: 800-322-2086 · Fax: 888-423-1882 · www.philips.com/advance

Customer Support/Technical Service: 800-372-3331 · OEM Support: 866-915-5886

Revised: 10/19/04