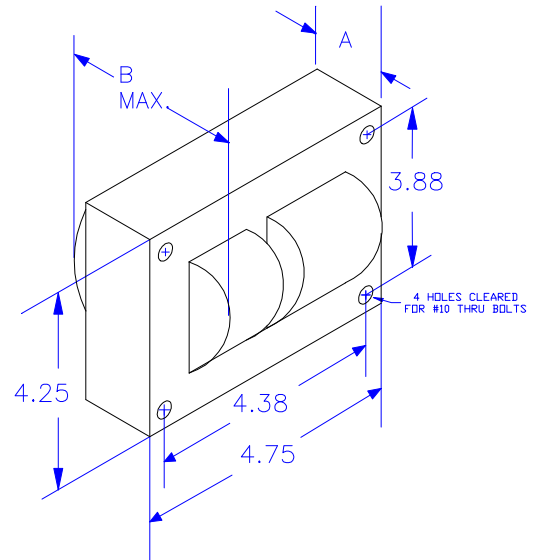
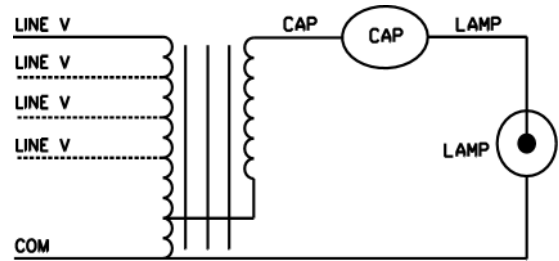


<b>Input Volts</b>		120	208	240	277
<b>Circuit Type</b>	CWA				
<b>Power Factor</b>	>90%				
<b>Regulation</b>					
Line Volts	± 10 %				
Lamp Watts	- 10 % + 10 %				
<b>Line Current (Amps)</b>					
Operating		2.7	1.6	1.3	1.2
Open Circuit		2.3	1.4	1.2	1.0
Starting		2.4	1.4	1.2	1.1
Recommended Fuse		8	5	4	4
<b>UL Temperature Ratings</b>					
Insulation Class	H (180°C)				
Coil Temperature Code	E	E	E	E	E
Benchtop Coil Rise Primary	<120	<120	<120	<120	<120
Benchtop Coil Rise Secondary	<120	<120	<120	<120	<120
<b>Input Watts</b>		272	272	272	272
<b>NOM Open Circuit Volts</b>	310				
<b>Current Crest Factor</b>	1.68				
<b>Input Voltage at Lamp Dropout</b>		60	104	120	138
<b>Min Ambient Starting Temp.</b>	-20F -30°C				
<b>High Potential Test (Volts)</b>					
1 Minute	1650				
1 Second	2000				
<b>Open Circuit Voltage Test (Volts)</b>					
Open Circuit Voltage	280 - 340				
Input Current	min	1.3	0.8	0.7	0.6
	max	2.4	1.4	1.2	1.1
<b>Short Circuit Current Test (Amps)</b>					
Secondary Current	2.25 - 2.75				
Input Current	min	1.7	1.0	0.9	0.8
	max	2.5	1.6	1.3	1.2
<b>Core and Coil Specifications</b>					
Dimension A"	1.70				
Dimension B"	3.63				
Weight (lbs.)	9				
Lead Lengths (in)	12				
<b>Capacitor Specifications</b>					
Microfarads	15				
Volts (min.)	400				
	<b>Oval OIL Filled</b>	<b>DRY Film</b>			
Case Size (in.)	1.75	1.8			
Height (in.)	2.9	4.2			
Temp Rating °C	90	100			
<b>Starter Specifications</b>					
Model Number	Not required				
BTL	-				
Temp Rating °C	-				

Wiring Diagram



Rev. Date: 7/27/2009

Test Ref.: Validation

**Specifications subject to change without notice.**

**Howard Industries, Inc. Ballast Products Division P.O. Box 1590 Laurel, MS 39441**  
**Phone: 1-800-956-3456 Fax: (601) 422-1652 www.howardlightingproducts.com**