

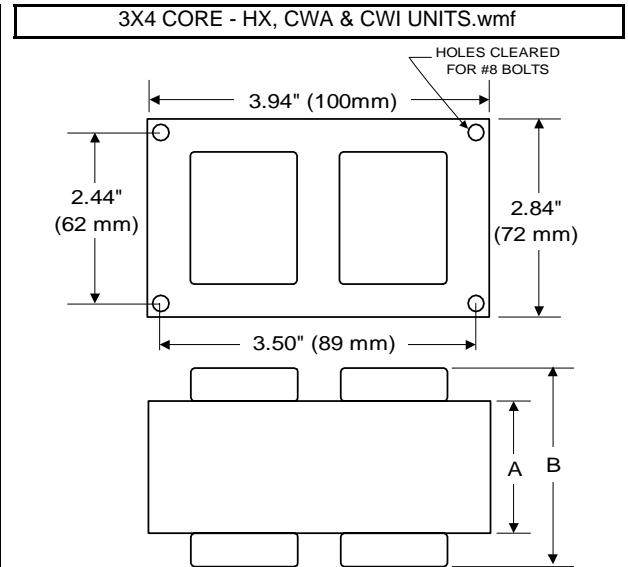
# 100W M90

## Pulse Start Metal Halide

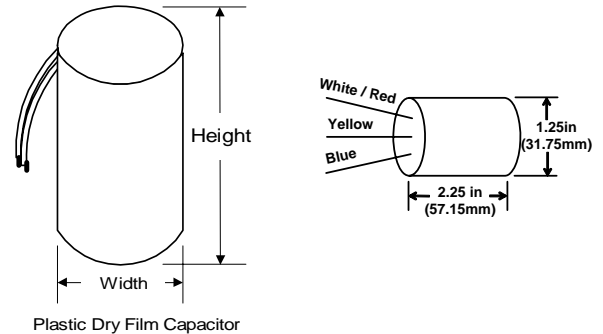
V90D5932

60 Hz HX-HPF

Input Volts	120	208	240	277
Line Current ( Amps )				
Operating	1.10	0.65	0.55	0.50
Open Circuit	2.60	1.50	1.30	1.15
Starting	1.00	0.60	0.50	0.45
Regulation				
Line Volts	±5%	±5%	±5%	±5%
Lamp Watts	±10%	±10%	±10%	±10%
UL Temperature Ratings				
Insulation Class	H	H	H	H
Coil Temperature Code	A	A	A	A
Benchtop Coil Rise	70.1	69.8	65.9	71.8
Input Watts	125 W	125 W	125 W	125 W
NOM. Open Circuit Voltage	270	270	270	270
Power Factor	90%	90%	90%	90%
Current Crest Factor	1.50	1.50	1.50	1.50
Input Voltage At Lamp Dropout	80	140	160	185
MIN. Ambient Starting Temp.	-20°F -30°C	-20°F -30°C	-20°F -30°C	-20°F -30°C
60 HZ TEST PROCEDURES				
High Potential Test (Volts)				
1 Minute	2,000 V	2,000 V	2,000 V	2,000 V
1 Second	2,500 V	2,500 V	2,500 V	2,500 V
Open Circuit Voltage Test (V)	240 - 300	240 - 300	240 - 300	240 - 300
Short Circuit Current Test (A)				
Secondary Current				
Min	1.20	1.20	1.20	1.20
Max	1.50	1.50	1.50	1.50
Input Current				
Min	0.45	0.25	0.20	0.20
Max	0.75	0.45	0.40	0.30
Recommended Fuse (Amps)	7	4	4	3
CORE and COIL Specifications				
Dimension (A)	1.70 in	1.70 in	1.70 in	1.70 in
Dimension (B)	3.10 in	3.10 in	3.10 in	3.10 in
Weight (lbs.)	5.3 lb's	5.3 lb's	5.3 lb's	5.3 lb's
Lead Lengths	12 "	12 "	12 "	12 "
CAPACITOR Specifications				
Microfarads	12.0 uf	12.0 uf	12.0 uf	12.0 uf
Volts (min.)	280 V	280 V	280 V	280 V



Capacitor:	ACG321	Ignitor:	BVS-032
Value:	12.0 uf	Temp:	105 °C
Temp Rating	100 °C	BTL:	2 ft
Height:	2.72 in		
Dia/Oval Dim	1.49 in		



**Ordering Information**    Add Suffix for options

- C - With Capacitor
- K - With Capacitor and Bracket Kit
- B - With Welded Bracket no cap

Data is based upon tests performed by Venture Lighting in a controlled environment and is representative of relative performance. Actual performance can vary depending on operating conditions. Specifications are subject to change without notice  
This unit contains an aluminum winding. Consult factory for details

**7/31/2007    Production**

