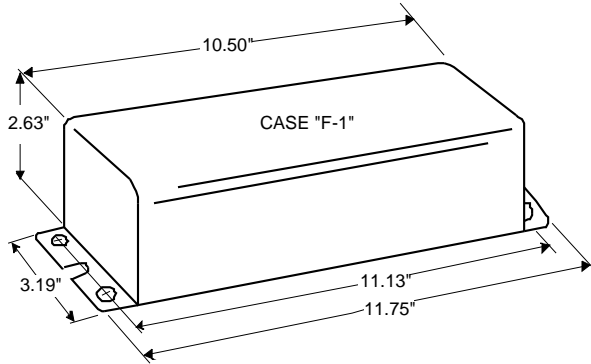




**Metal
Halide
Lamp Ballast**

**Catalog Number 72C5282
For 70W M98
60 Hz HX-HPF
Status: Active**

DIMENSIONS AND DATA



INPUT VOLTS	120	277			
CIRCUIT TYPE	HX-HPF				
POWER FACTOR (min)	90%				
REGULATION					
Line Volts	±5%				
Lamp Watts	±10%				
LINE CURRENT (Amps)					
Operating.....	0.85	0.37			
Open Circuit.....	1.60	0.75			
Starting.....	1.25	0.55			
UL TEMPERATURE RATINGS					
Insulation Class	A (105°C)				
Coil Temperature Code	1029				
MIN. AMBIENT STARTING TEMP.	-20°F or -30°C				
NOM. OPEN CIRCUIT VOLTAGE	255				
INPUT VOLTAGE AT LAMP DROPOUT.....	84	194			
INPUT WATTS	94				
RECOMMENDED FUSE (Amps).....	4	2			
CORE and COIL					
Dimension (A)					
Dimension (B)	8.5				
Weight (lbs.)	12"				
Lead Lengths					
CAPACITOR REQUIREMENT					
Microfarads					
Volts (min.)					
Fault Current Withstand (amps)					
60 Hz TEST PROCEDURES (Refer to Advance Test Procedure for HID Ballasts - Form 1270)					
High Potential Test (Volts)	1600				
1 minute	2000				
2 seconds	230-280				
Open Circuit Voltage Test (Volts)					
Short-Circuit Current Test (Amps)	0.95-1.20				
Secondary Current					
Input Current.....	0.55	0.25	-	-	-
	0.85	0.40			

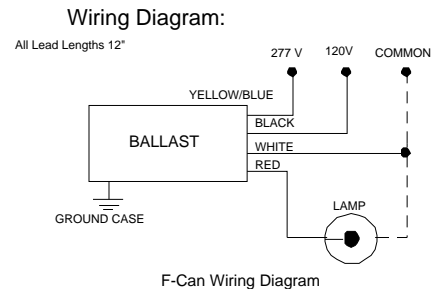
Capacitor:

The capacitor is included as part of the potted assembly.

Ignitor: IN CAN

The ignitor is included as part of the potted assembly.

Ballast to Lamp Distance (BTL) = 20 feet
Temp Rating: 90°C



Typical Ordering Information

(please call Advance for suffix availability)

Order Suffix	Description

Data is based upon tests performed by Advance Transformer in a controlled environment and representative of relative performance. Actual performance can vary depending on operating conditions. Specifications are subject to change without notice.

ADVANCE

O'HARE INTERNATIONAL CENTER · 10275 WEST HIGGINS ROAD · ROSEMONT, IL 60018
Customer Support/Technical Service: Phone: 800-372-3331 · Fax: 630-307-3071
Corporate Offices: Phone: 800-322-2086

04/30/99