

SS2RC

Ballast Type: Electromagnetic
 Input Voltage: 120VAC+5%,-10%
 Input Frequency: 60 Hz.

Starting Method: Preheat Self Start
 Lamp Connection: Series
 Unit Color: White

Unit Weight: 0.8 lb.
 Carton Quantity: 60
 Skid Quantity: 1920

ELECTRICAL SPECIFICATION:

Line Voltage (V)	Lamp Type	Lamp Watts	No. of Lamps	Line Current (A)	Input Power (W)	Power Factor	Max Current THD (%)	Current Crest Factor	Ballast Factor	Wiring Diagram	B.E.F.
120	F20T12	20	1	0.29	20	≥0.57	≤10	≤1.6	0.77	006	3.85
120	F15T12	15	1	0.33	20	≥0.51	≤12	≤1.6	1.00	006	5.00
120	F14T12	14	1	0.35	20	≥0.47	≤15	≤1.6	0.92	006	4.63
120	F15T8	15	1	0.31	19	≥0.50	≤10	≤1.6	1.02	006	5.37
120	F14T8	14	1	0.33	19	≥0.49	≤15	≤1.6	0.88	006	4.63

PERFORMANCE:

- Electromagnetic reactor type ballast
- Preheat self start start
- Series operation
- Normal power factor
- Encased & potted
- Sound rated A
- Meets ANSI C82.1

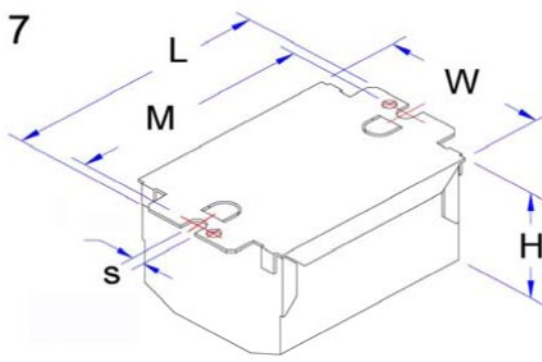
APPLICATION:

- Maximum case temperature: 194°F/90°C
- Maximum ambient temperature: 104°F/40°C
- Minimum starting temperature: 50°F/10°C
- Remote mounting: 10ft.

SAFETY:

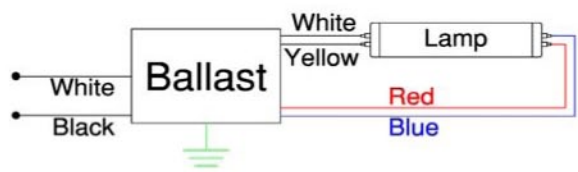


STYLE:



H	W	L	M	S
1 7/16	1 7/8	3	2 3/4	3/16
1.44	1.88	3.00	2.75	0.19
3.66 cm	4.78 cm	7.62 cm	6.99 cm	0.47 cm

WIRING DIAGRAM:



Standard lead length:

- Blk: 6"
- Wht: 6"
- Blu: 12"
- Red: 12"
- Yel: 15"
- Wht: 15"

* 3/8" Strip

WARRANTY

Robertson Worldwide warrants to the purchaser that this ballast will be free from defects in material or workmanship for a period of 2 years from date of manufacture when properly installed and under normal conditions of use. For more information on Robertson Worldwide's ballasts, call 1-800-323-5633 or visit www.robertsonww.com. Specifications subject to change without notice.

Revised 3/12/07