

**ISB** SOLA BASIC



REV: "A"

**FLUORESCENT BALLAST SPECIFICATIONS**

**DESCRIPTION**

CATALOG <b>ETSF-20-TP</b>	TYPE Normal Power Factor	STARTING METHOD Trigger Start	NUMBER OF LAMPS 1	LAMP TYPE F14T12, F15T12, F20T12
------------------------------	-----------------------------	----------------------------------	----------------------	-------------------------------------

**ELECTRICAL CHARACTERISTICS**

INPUT VOLTAGE 120v	LAMP WATTS 14/15/20w	INPUT POWER 33w	INPUT CURRENT 0.60 A	OCV 215v	PF NPF	FREQUENCY 60 Hz	SOUND RATED A
MIN START TEMP 50°F / 10°C	CLASS P	TYPE 1 outdoor	BALLAST FACTOR 0.79	BEF 2.45	THD 20%	NO PCB'S	

**PHYSICAL CHARACTERISTICS**

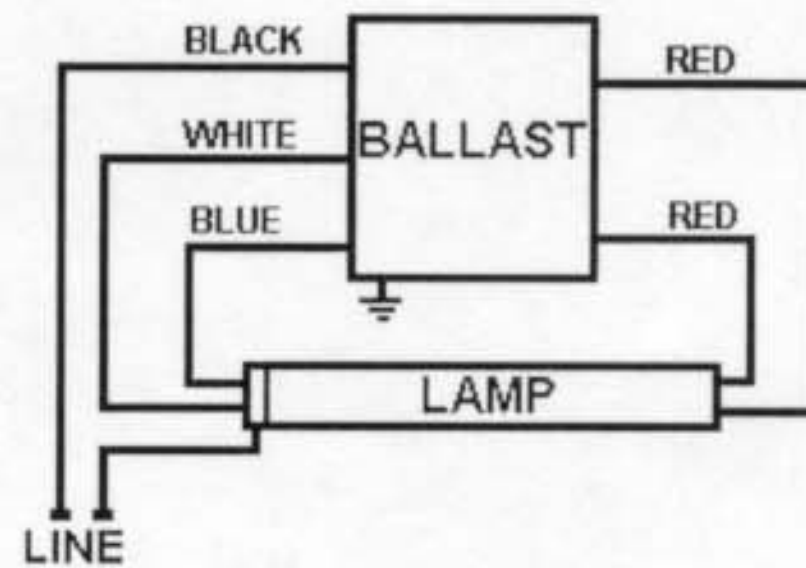
	<b>CASE DIMENSIONS</b>						
	<b>UNITS</b>	<b>M1</b>	<b>M2</b>	<b>M3</b>	<b>W</b>	<b>L</b>	<b>H</b>
	INCHES	N / A	6.00	5.275	1.937	6.500	1.375
	TOL(+/-)		0.010	0.010	0.050	0.050	0.050
	MM	N / A	153	134	49	165	35
	TOL(+/-)		0.25	0.25	1.30	1.30	3.80
<b>LEAD LENGTH</b>							
<b>UNITS</b>	<b>BLACK</b>	<b>WHITE</b>	<b>RED</b>	<b>BLUE</b>	<b>YELLOW</b>		
INCHES	12	12	13	13			
TOL(+/-)	3/8	3/8	3/8	3/8			
MM	304	304	330	330			
TOL(+/-)	10	10	10	10			

**CARTON CHARACTERISTICS**

UNITS/CARTON 16	CARTONS/LAYER 12	# OF LAYERS 5	UNITS/PALLET 960	PIECE WEIGHT 2.31 lbs	CARTON WEIGHT 38 lbs	PALLET WEIGHT 2,364 lbs
CARTONS/PALLET 60	CARTON DIMENSIONS 12" x 12" x 4"	PALLET DIMENSIONS 40" x 48" x 7"	PALLET DIMENSIONS LOADED INCLUDING WOOD PALLET 40" x 48" x 28"			

CARTON LABEL

ELECTRICAL DIAGRAM



PRODUCT LABEL

SOLA

120 VOLT	0.60 AMP	215 OCV	60 Hz	TRIGGER START BALLAST
FOR: 1-F14T12, 1-F15T12 or 1-F20T12/PH				<b>ETSF-20-TP</b>
SOUND RATED <b>A</b>			MINIMUM 10° C MADE IN MEXICO	
2 YEAR WARRANTY			CLASS P TYPE 1 OUTDOOR	<p style="font-size: 8px;">GROUND BALLAST CASE MOUNT LAMP WITHIN 1/2" OF GROUNDED METAL REFLECTOR</p>

Lighting and Power Source  
 2707 Realty Road, Suite 110  
 Carrollton, TX 75006  
 Tel: (888) 385-4448  
 Fax: (972) 418-5858