

**ISB SOLA BASIC®**



REV: "A"

**FLUORESCENT BALLAST SPECIFICATIONS**

**DESCRIPTION**

CATALOG <b>E-758-F-332</b>	TYPE <b>Electronic</b>	STARTING METHOD Instant Start	NUMBER OF LAMPS 3	LAMP TYPE F17T8, F25T8, F32T8, F32T8/U
-------------------------------	---------------------------	----------------------------------	----------------------	---

**ELECTRICAL CHARACTERISTICS**

INPUT VOLTAGE 120v	LAMP WATTS 17/25/32/31w	INPUT WATTS 81.5w	INPUT CURRENT 0.69A	OCV 610v	PF >0.98	FREQUENCY 60 Hz	SOUND RATED A
MIN START TEMP 32°F/0°C	CLASS P	TYPE 1 outdoor	BALLAST FACTOR 0.86	BEF 1.055	THD (1) <20%	NO PCB'S	

(1) THD <25 FOR 3-F17T8

**PHYSICAL CHARACTERISTICS**

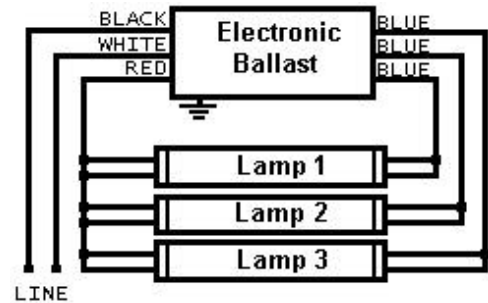
	CASE DIMENSIONS						
	UNITS	M1	M2	M3	W	L	H
	INCHES	1.687	8.906	8.344	2.375	9.500	1.500
	TOL(+/-)	0.010	0.010	0.010	0.050	0.050	0.050
	MM	43	226	212	60	241	38
	TOL(+/-)	0.25	0.25	0.25	1.30	1.30	1.30
	LEAD LENGTH						
	UNITS	BLACK	WHITE	RED	BLUE	BLUE	BLUE
	INCHES	22	22	46	26	26	26
	TOL(+/-)	3/8	3/8	3/8	3/8	3/8	3/8
MM	559	559	1168	660	660	660	
TOL(+/-)	10	10	10	10	10	10	

**CARTON CHARACTERISTICS**

UNITS/CARTON 10	CARTONS/LAYER 12	# OF LAYERS 8	UNITS/PALLET 960	PIECE WEIGHT 2.5 lbs	CARTON WEIGHT 26 lbs	PALLET WEIGHT 2,573 lbs
CARTONS/PALLET 96	CARTON DIMENSIONS 12" x 12" x 4"		PALLET DIMENSIONS 40" x 48" x 7"	PALLET DIMENSIONS LOADED, INCLUDING WOOD PALLET 40" x 48" x 40"		

**CARTON LABEL**

**ELECTRICAL DIAGRAM**



**PRODUCT LABEL**

<b>120V</b> <b>0.690A</b> <b>610OCV</b> <b>60Hz</b> <b>&lt;20THD*</b> VOLTAGE TO GROUND <b>&lt;600V</b>		<b>INSTANT START ELECTRONIC BALLAST</b> <b>E-758-F-332</b> HIGH POWER FACTOR				<b>CLASS P</b> INHERENT THERMAL PROTECTION <b>TYPE 1 OUT DOOR</b>	
FOR 3-F32T8 OR 3-F32T8/U OR 3-F25T8 OR 3-F17T8 *THD <25 FOR 3F17T8				MINIMUM 0°C MADE IN MEXICO		<b>CAUTION: HAZARDOUS VOLTAGE. DISCONNECT LINE VOLTAGE BEFORE REPLACING OR REFLUORESCING.</b>	
SOUND RATED <b>A</b> <b>5 YEAR WARRANTY</b>		<b>E-01</b> NO PCB'S		GROUND BALLAST CASE MOUNT LAMPS WITHIN 3/4" OF GROUNDED METAL REFLECTOR. INSTALL IN ACCORDANCE WITH NATIONAL AND LOCAL ELECTRICAL CODES			

Lighting and Power Source  
 2707 Realty Road, Suite 110  
 Carrollton, TX 75006  
 Tel: (888) 385-4448  
 Fax: (972) 418-5858