

## RSZ132T8120

Ballast Type:	Electronic	Starting Method:	Preheat Rapid Start	Unit Weight:	0.35 lb
Input Voltage:	120VAC ±10%	Lamp Connection:	Series	Carton Quantity:	120
Input Frequency:	50/60 Hz.	Unit Color:	Galvanized	Skid Quantity:	2880

### ELECTRICAL SPECIFICATION:

Line Voltage (V)	Lamp Type	Lamp Watts	No. of Lamps	Line Current (A)	Input Power (W)	Power Factor	Max Current THD (%)	Current Crest Factor	Ballast Factor	Wiring Diagram	B.E.F.
120	F15T8	15	1	0.25	15	≥0.50	≤160	≤1.6	0.90	003	6.00
120	F17T8	17	1	0.28	17	≥0.51	≤148	≤1.6	1.00	003	5.88
120	F25T8	25	1	0.35	21	≥0.51	≤144	≤1.6	0.88	003	4.19
120	F32T8	32	1	0.42	27	≥0.53	≤135	≤1.6	0.80	003	2.96

### PERFORMANCE:

- Electronic ballast
- Preheat rapid start ballast
- Series operation
- Normal power factor
- Encased & potted
- Sound rated A
- End-of-Lamp Life protection
- Internal surge protection
- Meets FCC Part 18 (Class B) EMI and RFI consumer limits
- Meets ANSI standard C82.11 (where applicable)
- Meets ANSI standard C62.41

### APPLICATION:

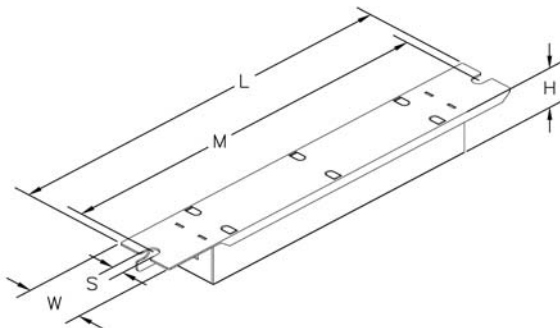
- Maximum case temperature: 167°F/75°C
- Maximum ambient temperature: 104°F/40°C
- Minimum starting temperature: 0°F/-18°C
- Lamp starts: >15,000 starts
- Remote mounting: 18 ft.

### SAFETY:

- UL/935 (Class P, Type HL, Type CC, Type 1 outdoor) listed
- CSA (cUL) certified
- CSA/C22.2 certified
- Inherent Thermal Protection
- No PCB's

### STYLE:

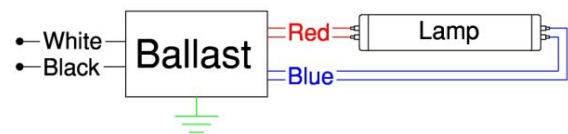
**3C1**



H	W	L	M	S
3/4	29/32	6 7/16	5 29/32	3/16
0.75	0.91	6.44	5.91	0.19
1.91cm	2.31cm	16.36cm	15.01cm	0.47cm

### WIRING DIAGRAM:

**003**



#### Standard lead lengths:

- Blk: 20"
- Wht: 20"
- Red: (2) 48"
- Blu: (2) 32"

\* 3/8 Strip

### WARRANTY:

Robertson Worldwide warrants to the purchaser that this ballast will be free from defects in material or workmanship for a period of 2 years from date of manufacture when properly installed and under normal conditions of use. For more information on Robertson Worldwide ballasts, call 1-800-323-5633 or visit [www.robertsonww.com](http://www.robertsonww.com). For our energy star compliant ballasts, visit [www.nema.org/lampballastmatrix/](http://www.nema.org/lampballastmatrix/) Specifications subject to change without notice.

Revised 2/1/08

### ROBERTSON WORLDWIDE

13611 Thornton Rd, Blue Island, IL 60406, TEL: 1-800-323-5633, FAX: 1-877-388-2420, [www.robertsonww.com](http://www.robertsonww.com)