

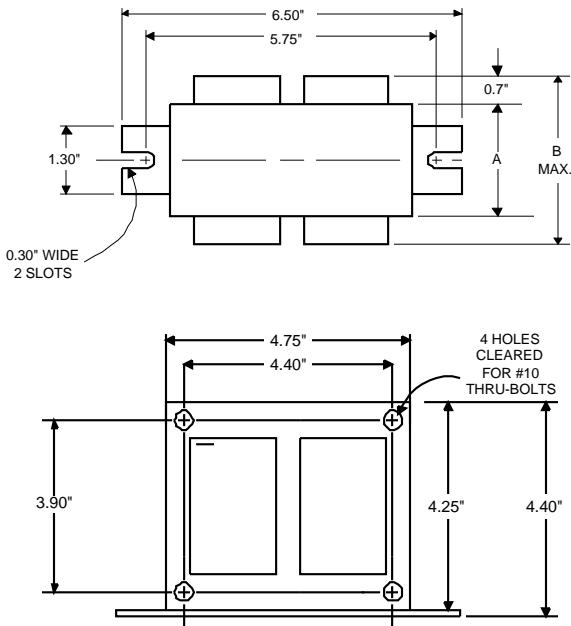


**Metal
Halide
Lamp Ballast**

**Catalog Number 71A6490
For 750W M149
60 Hz CWA
Status: Active**

DIMENSIONS AND DATA

4 1/4 X 4 3/4 CORE - 2 COIL UNIT



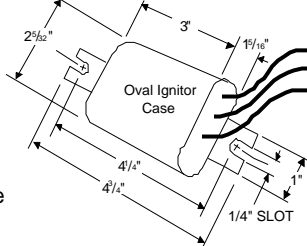
		120	208	240	277
INPUT VOLTS					
CIRCUIT TYPE	CWA				
POWER FACTOR (min)	90%				
REGULATION					
Line Volts	±10%				
Lamp Watts	±10%				
LINE CURRENT (Amps)					
Operating.....		6.90	3.85	3.45	3.00
Open Circuit.....		3.75	1.90	1.85	1.65
Starting.....		5.20	3.05	2.35	2.25
UL TEMPERATURE RATINGS					
Insulation Class	N(200°C)				
Coil Temperature Code	1029	D	D	D	D
MIN. AMBIENT STARTING TEMP.	-30°F or -35°C				
NOM. OPEN CIRCUIT VOLTAGE	340				
INPUT VOLTAGE AT LAMP DROPOUT.....		70	110	125	140
INPUT WATTS	820				
RECOMMENDED FUSE (Amps).....		15	9	8	8
CORE and COIL					
Dimension (A)	3.00				
Dimension (B)	4.90				
Weight (lbs.)	17.5				
Lead Lengths	12"				
CAPACITOR REQUIREMENT					
Microfarads	28.0				
Volts (min.)	400				
Fault Current Withstand (amps)					
60 Hz TEST PROCEDURES (Refer to Advance Test Procedure for HID Ballasts - Form 1270)					
High Potential Test (Volts)					
1 minute	1500				
2 seconds	2500				
Open Circuit Voltage Test (Volts)	306-375				
Short-Circuit Current Test (Amps)					
Secondary Current	4.90-6.00				
Input Current.....		4.15	2.45	1.85	1.80
		6.20	3.65	2.80	2.70

Capacitor: 7C280S40

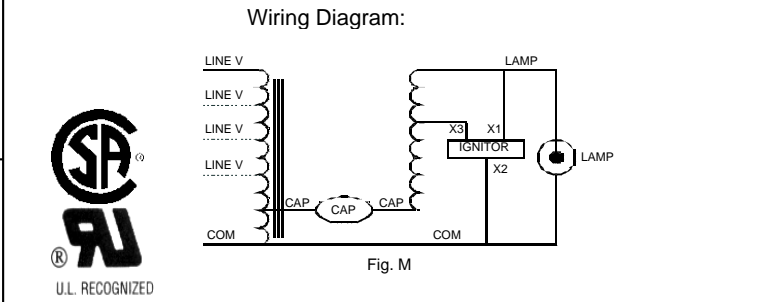


Capacitance: 28
Dia/Oval Dim: 2.00
Height: 5.12
Temp Rating: 105°C

Ignitor: LI573-H5



Ballast to Lamp Distance (BTL) = 15 feet
Temp Rating: 105°C



Typical Ordering Information
(please call Advance for suffix availability)

Order Suffix	Description

Data is based upon tests performed by Advance Transformer in a controlled environment and representative of relative performance. Actual performance can vary depending on operating conditions. Specifications are subject to change without notice.

ADVANCE

O'HARE INTERNATIONAL CENTER · 10275 WEST HIGGINS ROAD · ROSEMONT, IL 60018
Customer Support/Technical Service: Phone: 800-372-3331 · Fax: 630-307-3071
Corporate Offices: Phone: 800-322-2086

05/26/04