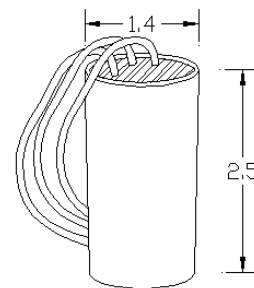
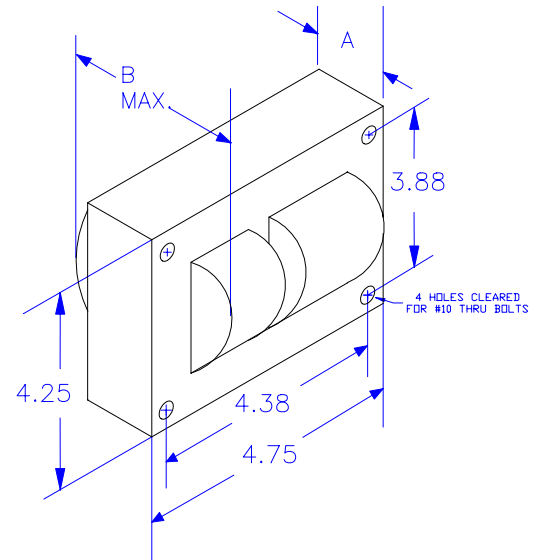
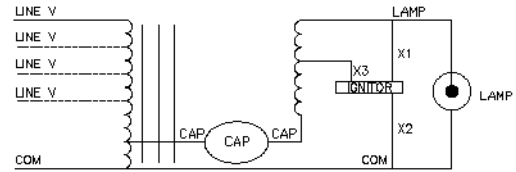


Input Volts		120	208	240	277
Circuit Type	PS-CWA				
Power Factor	.98				
Regulation					
Line Volts	± 10 %				
Lamp Watts	-10 % + 8 %				
Line Current (Amps)					
Operating	3.81	2.17	1.91	1.65	
Open Circuit	2.3	1.25	1.15	1.0	
Starting	2.84	1.6	1.3	1.2	
Recommended Fuse	12	9	8	6	
UL Temperature Ratings					
Insulation Class	H (180°C)				
Coil Temperature Code	D	D	D	D	
Benchtop Coil Rise Primary	87	87	89	89	
Benchtop Coil Rise Secondary	-	-	-	87	
Input Watts	453	453	453	453	
NOM Open Circuit Volts	265				
Current Crest Factor	1.61				
Input Voltage at Lamp Dropout	65	114	136	145	
Min Ambient Starting Temp.	-20°F -30°C				
High Potential Test (Volts)					
1 Minute	1650				
1 Second	2000				
Open Circuit Voltage Test (Volts)					
Open Circuit Voltage	235 - 295				
Input Current	min	1.7	0.90	0.85	0.70
	max	2.85	1.60	1.45	1.25
Short Circuit Current Test (Amps)					
Secondary Current	3.6 - 4.5				
Input Current	min	1.90	1.10	0.95	0.80
	max	3.25	1.90	1.60	1.40
Core and Coil Specifications					
Dimension A"	1.73				
Dimension B"	3.66				
Weight (lbs.)	10.6				
Lead Lengths (in)	12				
Capacitor Specifications					
Microfarads	26				
Volts (min.)	330				
	Oval OIL Filled	DRY Film			
Case Size (in.)	1.75	1.77			
Height (in.)	3.87	4.7			
Temp Rating °C	90	100			
Starter Specifications					
Model Number	ST1001				
BTL	15				
Temp Rating °C	105				

Wiring Diagram



Starter Case Drawing

Rev. Date: 8/13/2008

Test Ref.: Validation

Specifications subject to change without notice.

Howard Industries, Inc. Ballast Products Division P.O. Box 1590 Laurel, MS 39441
Phone: 1-800-956-3456 Fax: (601) 422-1652 www.howard-ballast.com