

CATALOG NUMBER: E-871-W-320 FOR ONE 320 WATT, M132/M154 METAL HALIDE PULSE START LAMP

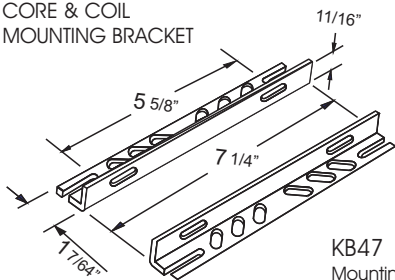
Line Voltage	120/208/240/277V
Regulation	
Line Volts	+/-10%
Lamp Watts	+/-10%
Frequency	60 Hz
Circuit Type	CWA
Power Factor (min)	90%
Insulation Class	H(180°)
Min. Ambient Starting Temp.	-20° F or -30° C

Line Voltage (Volts)	120	208	240	277
Line Current (Amps)				
Operating	3.24	1.90	1.62	1.40
Open Circuit	3.00	1.80	1.50	1.30
Starting	1.47	0.85	0.75	0.65
Input Watts (W)	368	368	368	368
Open Circuit Voltage (V)	270	270	270	270
Drop Out Voltage (V)	57	98	114	131
UL(1029) Bench Top Rise	A	A	A	A
Recommended Fuse (Amps)	8	6	5	3

HIGH POTENTIAL TEST (VOLTS)					
1Minute	2000				
2 Seconds	2500				
Open Circuit Voltage Test(volts)	245-295				
Short-Circuit Current Test (Amps)					
Secondary Current	3.0 - 3.6				
Input Current (Amps)		0.80 -	0.40 -	0.35 -	0.30 -
		1.55	0.90	0.80	0.70

BRACKET

CORE & COIL
MOUNTING BRACKET



KB47
Mounting bracket for
Core & Coil Ballasts
(2 brackets with thru bolts)



C-01
MOUNTING CLIP for round
case (Furnished as standard
with B suffix ballast)

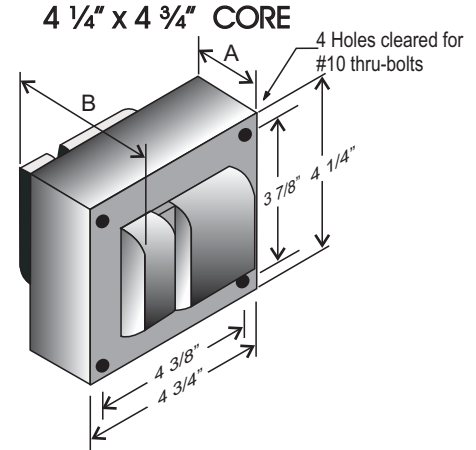


I-01
MOUNTING CLIP for round
case (Furnished as standard
with B suffix ballast)

ORDERING INFORMATION

*** Add proper suffix to catalog number when ordering as indicated below:
No suffix = Core and Coil Only
B= Core and Coil, and Bracket
C=Core and Coil, and Capacitor
BC=Core and Coil, Capacitor and Bracket

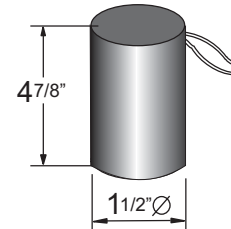
Data is based upon tests performed by Industrias Sola Basic in a controlled environment and representative of relative performance. Actual Performance can vary depending on operating conditions. Specifications are subject to change without notice.



CORE AND COIL

Dimension A (inches)	1.80
Dimension B (inches)	3.70
Weight (Lbs)	11.80
Lead Lengths (inches)	12

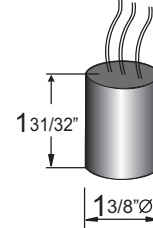
CAPACITOR



RATING
21 Mfd ± 3%
350 VAC MIN
Dry Film Capacitor
Thermal Plastic Case
Max. Case Temp 100° C
NO PCB'S

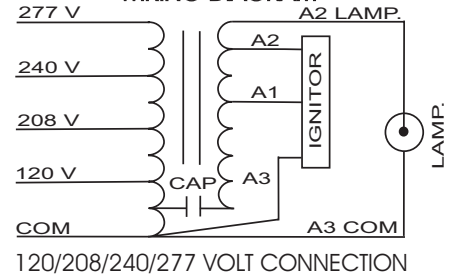
IGNITOR 37-63-AS-6.9-N7

Ballast to Lamp Distance (BTL): 2 feet



(THERMAL PLASTIC CASE)
Max. case Temp: 110° C

WIRING DIAGRAM



ISO 9001:2000

