

DCD68

Multilocation Controller

Installation Instructions



Specifications

Voltage 120VAC, 60Hz
Operating Temperature 32°F to 104°F (0°C to 40°C)



UNIT DESCRIPTION

The Miro Decorator DCD68 Multilocation Controller is used in circuits with the Miro Decorator multilocation universal or multilocation incandescent dimmer to control lighting loads from multiple locations.

Load Types

The DCD68 has no direct connection to the load. See the installation instructions or specifications for the DCD26 Incandescent Dimmer, or the DCD267 Universal Dimmer to determine compatibility with those devices.

**INSTALL IN COMPLIANCE WITH ALL APPLICABLE
CODES AND STANDARDS.**

**Failure to follow these instructions may cause
personal injury or equipment damage.**



CAUTION



TURN THE POWER OFF AT THE CIRCUIT BREAKER BEFORE INSTALLING THE DIMMER.

INSTALLATION

For ease of installation, manufacturer recommends use of a deep wall box.

Do Not Wire with Conventional Switches As Part of a 3-Way or 4-Way Switching Circuit.

The dimmer may be in any position in the circuit. Use a 3-wire and ground cable to wire between devices. (In existing 3-way switched installations this wire is already in place.) The DCD68 requires a ground. Be sure to verify the ground connection.

1. Disconnect power to circuit by turning circuit breaker OFF before installation.
2. Remove existing wall plate and switch.
3. Strip existing wires 1/2". If two wires will be connected to the same terminal on a Miro device, both wires must be the same gauge (12AWG or 14AWG).
- 4. Select your application to continue...**

DCD267 Universal Dimmer or

5. Install the DCD267 dimmer and the DCD68 controller, following the wiring diagram in Figure 1 for two locations, or Figure 2 for three or more locations.

DCD26 Incandescent Dimmer

5. Install the DCD26 dimmer and the DCD68 controller, following the wiring diagram in Figure 3 for two locations, or Figure 4 for three or more locations.

Finishing the installation

6. Attach the wall plate.
7. Switch the circuit breaker ON.
8. Make sure the LED on the dimmer is lit. There is no LED on the DCD68 controller.

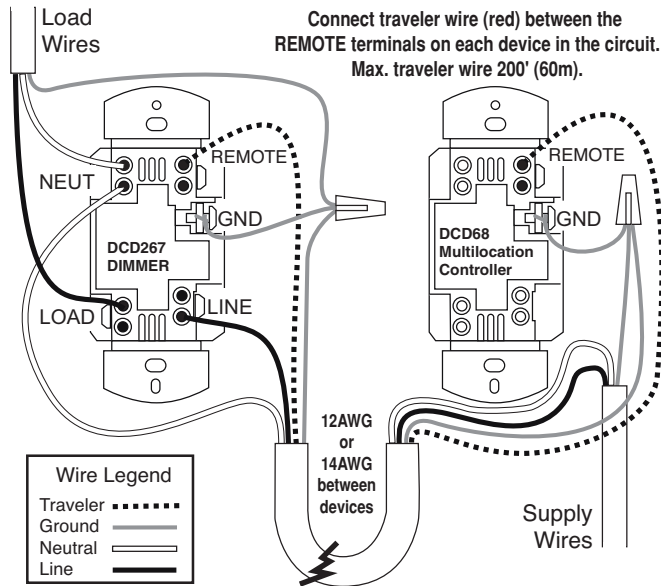


Figure 1: Two location wiring with a DCD267 Universal Dimmer

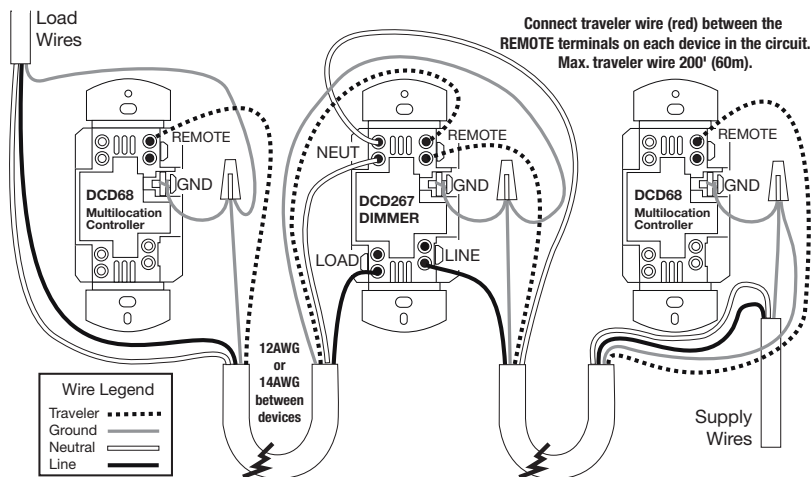


Figure 2: Wiring for 3 or more locations with a DCD267 Universal Dimmer

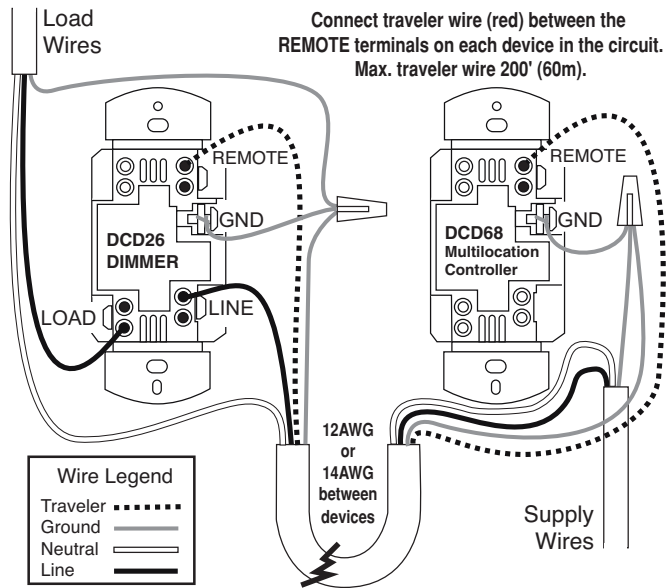


Figure 3: Two location wiring with the DCD26 Incandescent Dimmer.

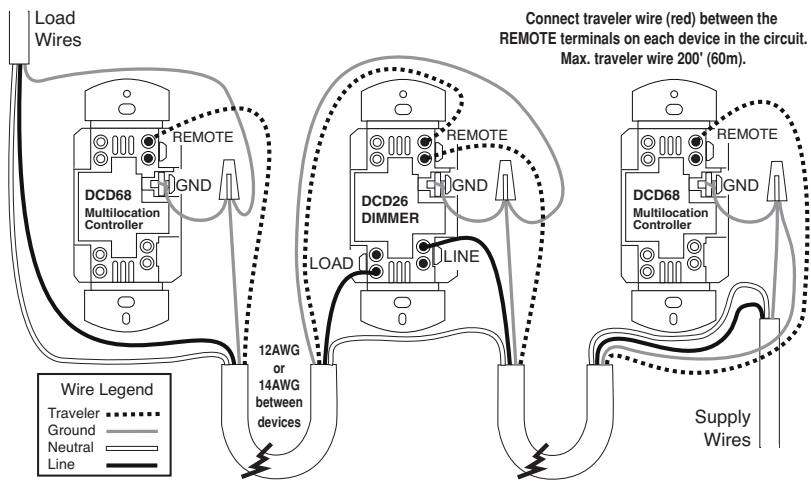
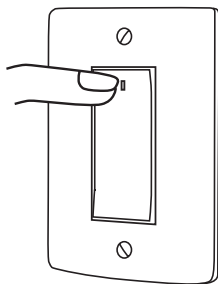


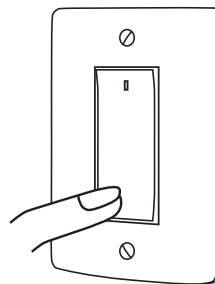
Figure 4: Wiring for 3 or more locations with the DCD26 Incandescent Dimmer.

OPERATION

↑	Tap once	Fade the load to its last-used level
↑↑	Tap twice	Full bright
—↑—	Press and hold	Increase the present level
↓	Tap once	Fade the load to OFF
—↓—	Press and hold	Decrease the present level



When you see ↑ in the instructions, touch the top of the switch as directed.



When you see ↓ in the instructions, touch the bottom of the switch as directed.

Replacing Lamps

When a lamp must be replaced, use the Air Gap Isolation feature for safety. This feature is only available at the dimmer, which can be identified by its status LED. (The DCD68 Multilocation Controllers do not have an LED and can not operate this feature.)

Power Fail Memory

After a power failure, all Miro devices automatically return to the state they were in immediately prior to loss of power.

CLEANING

Clean using a cloth dampened only with water and a little mild detergent.

Use of solvents or hydrocarbon-based cleaners may cause permanent damage.

TROUBLESHOOTING

In a multilocation circuit with one or more DCD68 multilocation controllers, the dimmer works, but the multilocation controllers don't function.

- This condition would exist if the LINE and LOAD connections are reversed. Check to make sure the connections are correctly terminated at the dimmer.
- The DCD68 Multilocation Controllers require a ground connection. Check to make sure the ground wires are securely connected.

The light level changes without pressing any switches, or the dimmer does not respond when I press its switch.

There may be a problem with the traveler wire.

1. Remove power from the circuit.
2. Disconnect all traveler wires from the dimmer's Remote terminals.
3. Restore power.

If the dimmer now operates the load properly, the problem is with the traveler wire. It may be too long or it may be shorted to another conductor.

Warranty Information

Manufacturer warrants its products to be free of defects in materials and workmanship for a period of five (5) years. There are no obligations or liabilities on the part of manufacturer for consequential damages arising out of, or in connection with, the use or performance of this product or other indirect damages with respect to loss of property, revenue or profit, or cost of removal, installation or reinstallation.

Watt Stopper Customers contact:



2800 De La Cruz Blvd.
Santa Clara, CA 95050
Phone: 800.879.8585
www.wattstopper.com

Please
Recycle



05725r2 09/07

Vantage Customers contact:



1061 South 800 East
Orem, UT 84057
Phone: 800.555.9891
www.vantagecontrols.com