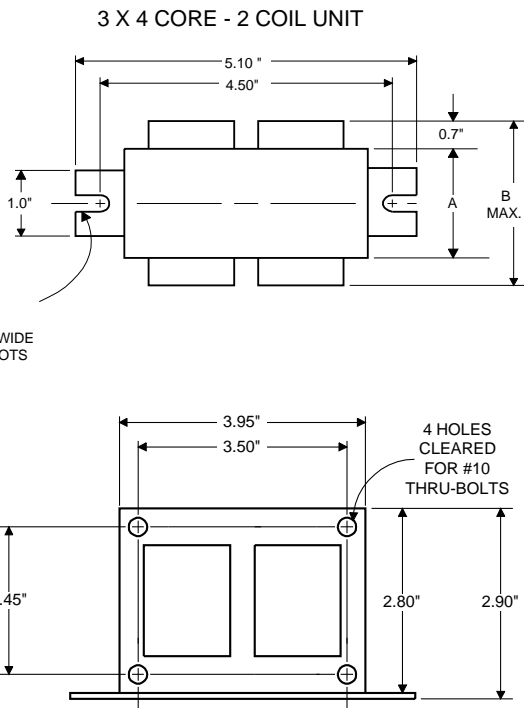
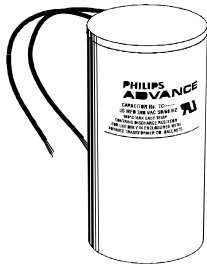


**DIMENSIONS AND DATA**

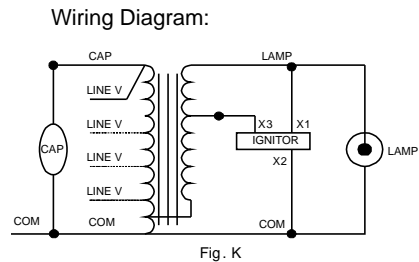


INPUT VOLTS	120	277			
CIRCUIT TYPE	HX-HPF				
POWER FACTOR (min)	90%				
REGULATION					
Line Volts	±5%				
Lamp Watts	±10%				
LINE CURRENT (Amps)					
Operating.....	0.58	0.25			
Open Circuit.....	1.20	0.51			
Starting.....	0.46	0.20			
UL TEMPERATURE RATINGS					
Insulation Class	H(180°C)				
Coil Temperature Code	1029	A	A		
MIN. AMBIENT STARTING TEMP.	-20°F or -30°C				
NOM. OPEN CIRCUIT VOLTAGE	254				
INPUT VOLTAGE AT LAMP DROPOUT.....	90	208			
INPUT WATTS	67				
RECOMMENDED FUSE (Amps).....	3	2			
CORE and COIL					
Dimension (A)	1.18				
Dimension (B)	2.23				
Weight (lbs.)	4				
Lead Lengths	12"				
CAPACITOR REQUIREMENT					
Microfarads	6.0				
Volts (min.)	280				
Fault Current Withstand (amps)					
60 Hz TEST PROCEDURES (Refer to Philips Lighting Electronics N.A. TEST Procedure for HID Ballasts - Form 127 High Potential Test (Volts)					
1 minute	2000				
2 seconds	2500				
Open Circuit Voltage Test (Volts)	228-280				
Short-Circuit Current Test (Amps)					
Secondary Current	0.70-0.88				
Input Current.....	0.42-	0.16-	-	-	-
	0.65	0.27			

Capacitor: 7C060L30RA



Capacitance: 6  
Dia/Oval Dim: 1.18  
Height: 2.68  
Temp Rating: 105°C



**Typical Ordering Information**

(please call Philips Lighting Electronics N.A. for suffix availability)

**Order Suffix**

**Description**

Ignitor: LI533-H4



Red (X1)  
White (X2)  
Blue (X3)

Ballast to Lamp Distance  
(BTL) = 10 feet  
Temp Rating: 105°C

Data is based upon tests performed by Philips Lighting Electronics N.A. in a controlled environment and is representative of relative performance. Actual performance can vary depending on operating conditions. Specifications are subject to change without notice.

**PHILIPS LIGHTING ELECTRONICS N.A.**

10275 WEST HIGGINS ROAD · ROSEMONT, IL 60018

Tel: 800-322-2086 · Fax: 888-423-1882 · www.philips.com/advance

Customer Support/Technical Service: 800-372-3331 · OEM Support: 866-915-5886