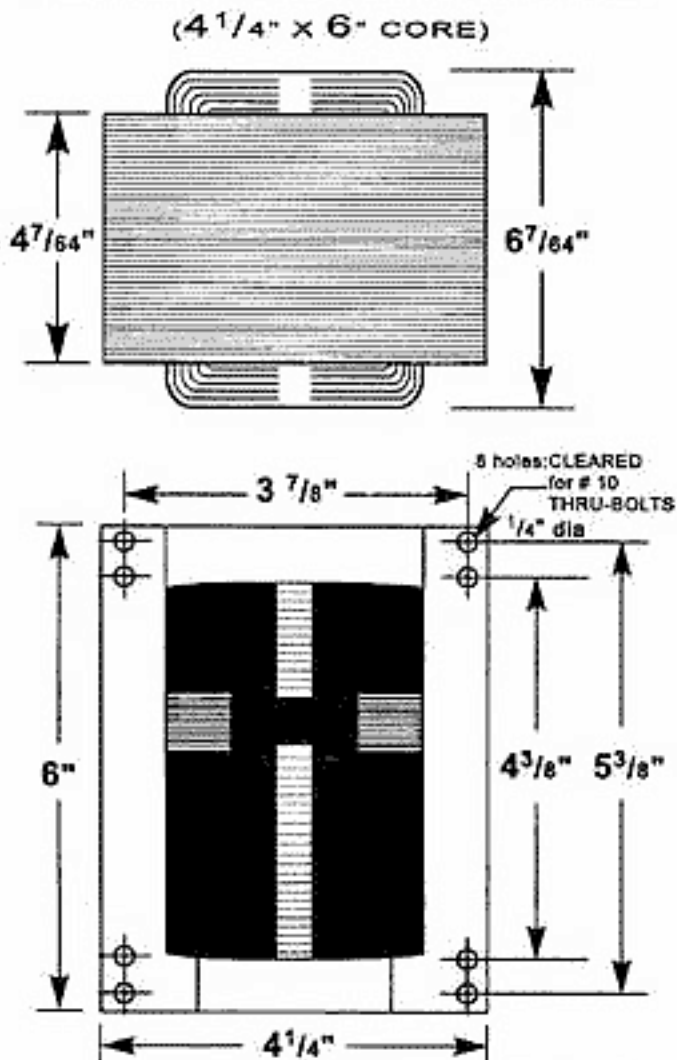


CORE AND COIL



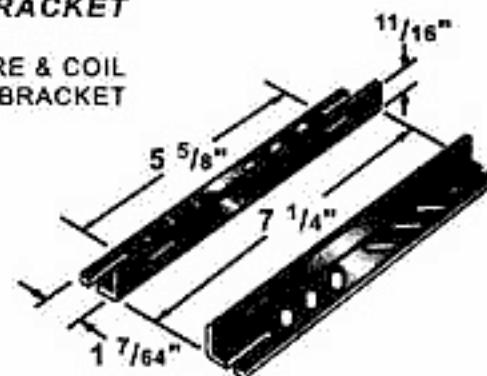
SOLA ballast leads wires are properly identified indicating on their surfaces the input voltages. ALL LEAD LENGTHS: 12 INCHES

TECHNICAL SPECIFICATION SHEET

1500 WATT, MH M48 CWA
BALLAST E-MCAXXX1500 60Hz.

BRACKET

CORE & COIL
MOUNTING BRACKET

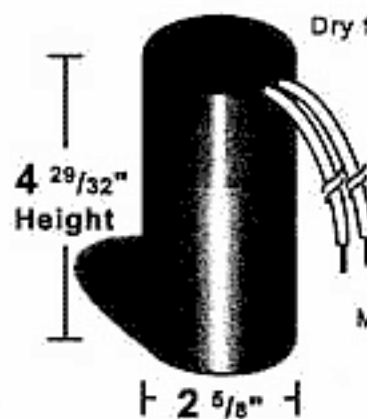


KB47
Mounting bracket for
Core & Coil Ballasts
(2 brackets with thru bolts)

CAPACITOR

RATING 32 MFD±3%
525 VAC, MIN

Dry Film Capacitors
Thermal Plastic Case



Dry film capacitor contains
no oil; are furnished
with 12" leads and
includes discharge
resistor

Max. case temp. 110°C

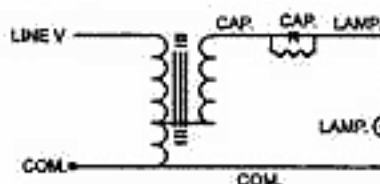
C-01

MOUNTING CLIP for round
case (Furnished as standard
with B suffix ballasts)

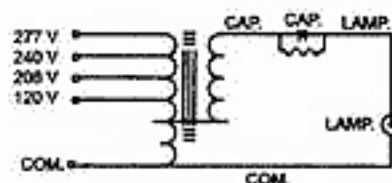


ELECTRICAL CHARACTERISTICS

INPUT VOLTAGE HIGH
POWER FACTOR ±10%
MIN. STARTING TEMP. -20°C



SINGLE VOLTAGE



MULTI VOLTAGE
120/208/240/277 VOLT CONNECTION

Line Voltage	Catalog Number	Circuit Type	Input Watts	Line Current (AMPS)			Open Circuit Voltage	Drop Voltage	Ballast Net Weight (lbs)	UL Bench Top Rise Code 1029	
				Operating	Open Circuit	Starting					
208	E-MCA00R1500	CWA	1605	7.8	5.1	5.2	435	130	25	30	D
277	E-MCA00T1500	CWA	1605	5.85	4.2	3.8	435	175	20	30	E
120 or 208 or 240 or 277	E-MCA00W1500	CWA	1605	13.5	9.11	9.12	435	75	40	30	G
		CWA	1605	7.8	5.1	5.2	435	130	25	30	
		CWA	1605	6.75	4.5	4.6	435	150	20	30	
		CWA	1605	5.85	4.2	3.8	435	175	10	30	

ORDERING INFORMATION

***Add proper suffix to catalog number when ordering as indicated below:
No suffix= Core and Coil Only
B= Core and Coil, and Bracket
C= Core and Coil, and Capacitor
BC= Core and Coil, Capacitor and Bracket

File No. E182278



ISB SOLA BASIC
BALLASTS

Lighting Source, Inc.
6064 Jerome Trall
Dallas, TX 75252
Tel: (888) 385-4448 (972) 248-3...
Fax: (972) 248-4748
E-mail: lighting@airmail.net
Website: www.ballastsource.com