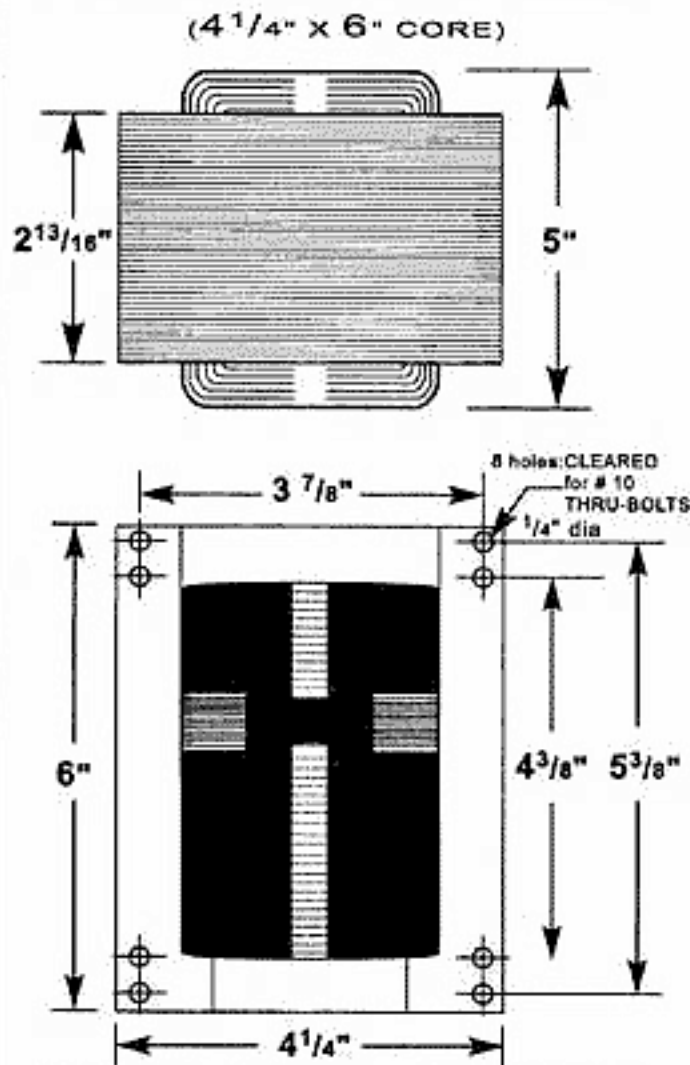


CORE AND COIL

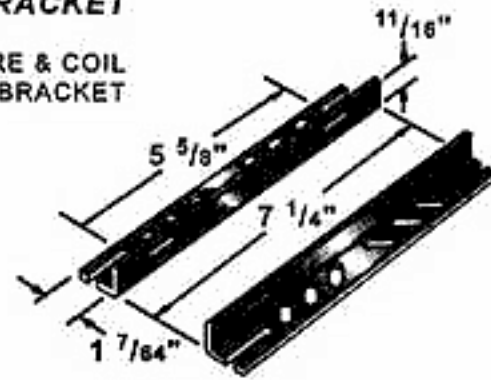


SOLA ballast leads wires are properly identified indicating on their surfaces the input voltages. ALL LEAD LENGTHS: 12 INCHES

TECHNICAL SPECIFICATION SHEET

1000 WATT, MH M47 CWA
BALLAST E-871-XX-211 60Hz.

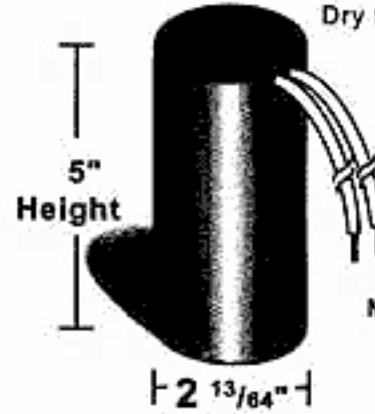
BRACKET
CORE & COIL
MOUNTING BRACKET



KB47
Mounting bracket for
Core & Coil Ballasts
(2 brackets with thru bolts)

CAPACITOR
RATING 24 MFD±3%
480 VAC, MIN

Dry Film Capacitors
Thermal Plastic Case

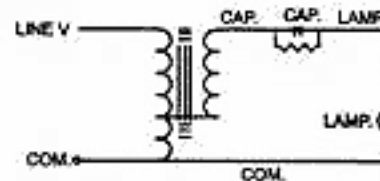


Dry film capacitor contains
no oil; are furnished
with 12" leads and
includes discharge
resistor

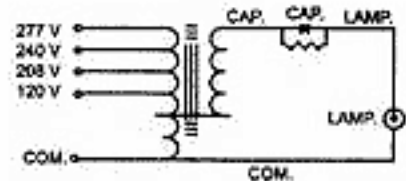
Max. case temp. 110°

C-01

MOUNTING CLIP for round
case (Furnished as standard
with B suffix ballasts)



SINGLE VOLTAGE



MULTI VOLTAGE
120/208/240/277 VOLT CONNECTION

ELECTRICAL CHARACTERISTICS

| | |
|---------------------|-------|
| INPUT VOLTAGE | HIGH |
| POWER FACTOR | ±10% |
| MIN. STARTING TEMP. | -20°C |

| Line Voltage | Catalog Number | Circuit Type | Input Watts | Line Current (AMPS) | | | Ballast Net Weight (lbs) | UL Bench Top Rise Code 1029 |
|--------------------------|----------------|--------------|-------------|---------------------|--------------|--------|--------------------------|-----------------------------|
| | | | | Operating | Open Circuit | Inrush | | |
| 208 | E-871-R-211 | CWA | 1080 | 5.2 | 3.6 | 3.4 | 421 120 25 29 | C |
| 277 | E-871-T-211 | CWA | 1080 | 3.9 | 2.8 | 2.55 | 421 165 20 29 | C |
| 120 or 208 or 240 or 277 | E-871-W-211 | CWA | 1080 | 9.0 | 5.8 | 5.8 | 421 75 40 29 | C |

ORDERING INFORMATION

***Add proper suffix to catalog number when ordering as indicated below:
No suffix= Core and Coil Only
B= Core and Coil, and Bracket
C= Core and Coil, and Capacitor
BC= Core and Coil, Capacitor and Bracket

File No. E182278



ISB SOLA BASIC BALLASTS

Lighting Source, Inc.
6064 Jerome Trail
Dallas, TX 75252
Tel: (888) 385-4448 (972) 248-4448
Fax: (972) 248-4748
E-mail: lighting@airmail.net
Website: www.ballastsource.com