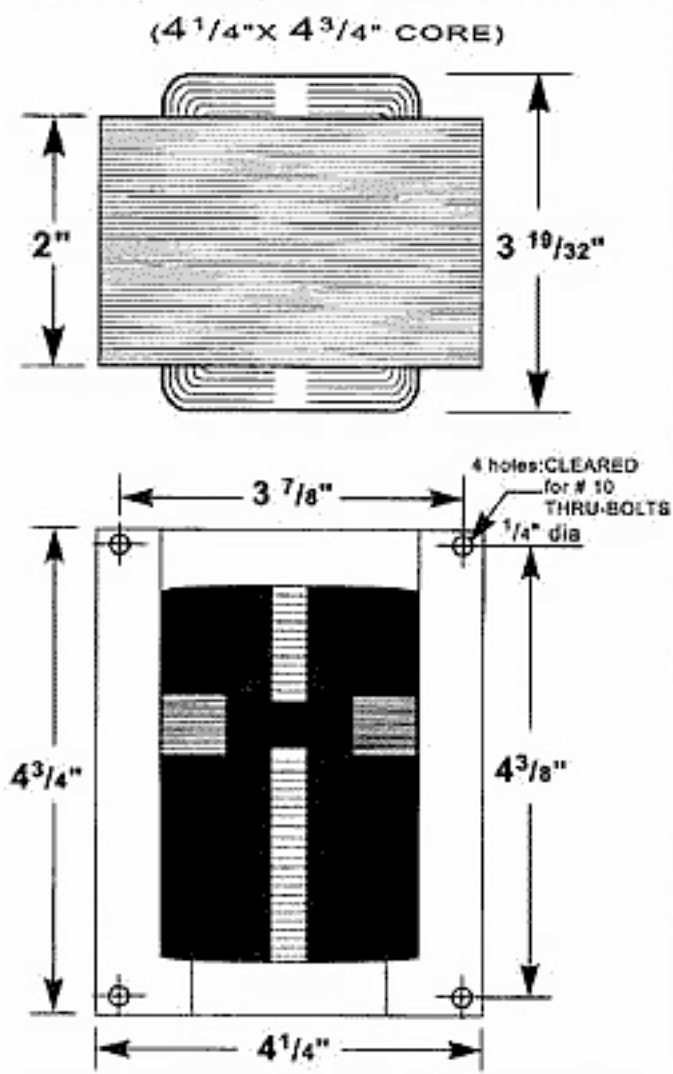


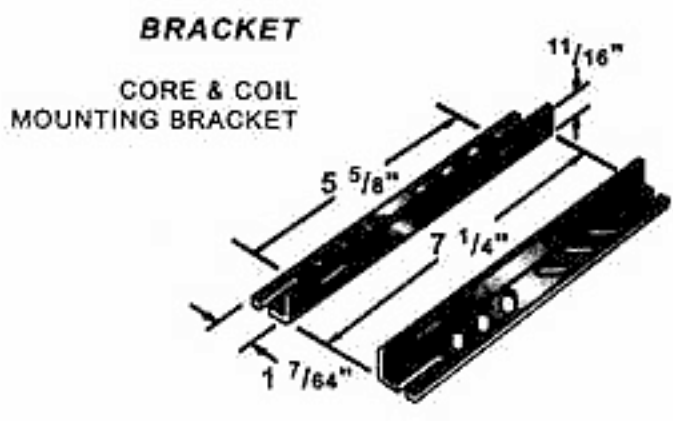
# CORE AND COIL



SOLA ballast leads wires are properly identified indicating on their surfaces the input voltages. ALL LEAD LENGTHS: 12 INCHES

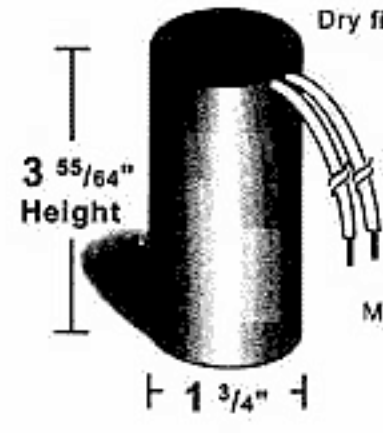
# TECHNICAL SPECIFICATION SHEET

400 WATT, MH M59 CWA  
BALLAST E-871-XX-411 60Hz.



KB47  
Mounting bracket for  
Core & Coil Ballasts  
(2 brackets with thru bolt)

**CAPACITOR**  
RATING 24 MFD±3%  
360 VAC, MIN  
Dry Film Capacitors  
Thermal Plastic Case



Dry film capacitor contains no oil; are furnished with 12" leads and includes discharge resistor

Max. case temp. 110°

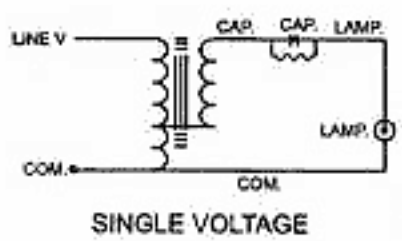
C-01

MOUNTING CLIP for round case (Furnished as standard with B suffix ballasts)

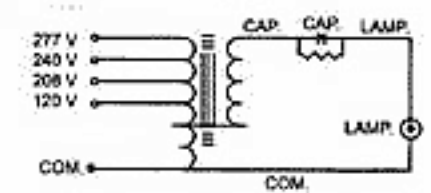


# ELECTRICAL CHARACTERISTICS

INPUT VOLTAGE	HIGH
POWER FACTOR	±10%
MIN. STARTING TEMP.	-20°C



SINGLE VOLTAGE



MULTI VOLTAGE  
120/208/240/277 VOLT CONNECTION

Line Voltage	Catalog Number	Type	Input Watts	Line Current (AMPS)			Open Circuit Voltage	Drop Out Voltage	Fuse	Ballast Net Weight (lbs)	UL Bench Top Rise Code 1029
				Operating	Open Circuit	Starting					
208	E-871-F-411	CWA	458	4.1	4.1	2.31	300	55	10		
	E-871-R-411	CWA	458	2.35	2.5	1.3	300	85	8	C	
	E-871-M-411	CWA	458	2.05	2.1	1.1	300	90	5		
277	E-871-T-411	CWA	458	1.77	1.9	0.94	300	110	5	C	
	E-871-D-411	CWA	458	1.0	1.02	0.85	300	200	5		
120 or 208 or 240 or 277	E-871-W-411	CWA	458	4.1	4.1	2.31	300	55	10		
		CWA	458	2.35	2.5	1.3	300	85	8	C	
		CWA	458	2.05	2.1	1.1	300	95	5		
		CWA	458	1.77	1.9	0.94	300	110	5		

# ORDERING INFORMATION

\*\*\*Add proper suffix to catalog number when ordering as indicated below:  
 No suffix= Core and Coil Only  
 B= Core and Coil, and Bracket  
 C= Core and Coil, and Capacitor  
 BC= Core and Coil, Capacitor and Bracket

File No. E182278  
**ISB SOLA BASIC**  
 BALLASTS

Lighting Source, Inc.  
 6064 Jerome Trail  
 Dallas, TX 75252  
 Tel: (888) 385-4448 (972) 248-;  
 Fax: (972) 248-4748  
 E-mail: lighting@airmail.net  
 Website: www.ballastsource.com