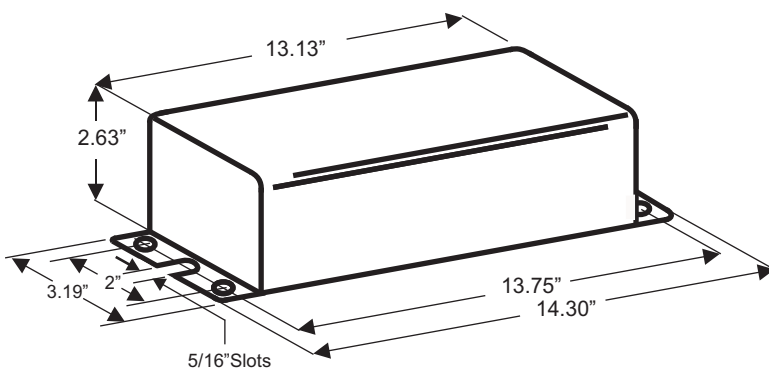


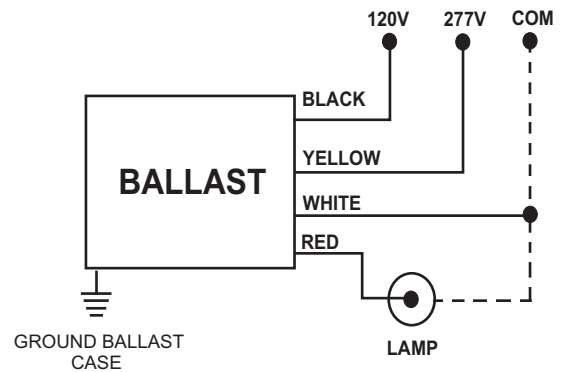
## CATALOG NUMBER: E-MCA0FT250F FOR ONE 250 WATT, M58 METAL HALIDE LAMP

Line Voltage	120/277V
Regulation	
Line Volts	+/-10%
Lamp Watts	+/-10%
Frequency	60 Hz
Circuit Type	CWA
Power Factor (min)	90%
Insulation Class	A(105°)
Min. Ambient Starting Temp.	-20° F or -30° C

Line Voltage (Volts)	120	277
Line Current (Amps)		
Operating	2.60	1.10
Open Circuit	2.40	1.05
Starting	1.50	0.67
Input Watts (W)	295	295
Open Circuit Voltage (V)	310	310
Drop Out Voltage	66	155
UL(1029) Bench Top Rise	A	A
Recommended Fuse (Amps)	8	4
HIGH POTENTIAL TEST (VOLTS)		
1 Minute	2000	
2 Seconds	2500	
Open Circuit Voltage Test(volts)	280-340	
Short-Circuit Current Test (Amps)		
Secondary Current	2.15-2.65	
Input Current		1.85- 0.80-
		0.95 0.40



### WIRING DIAGRAM



Weight (lbs)	15.5
Lead Lengths (inches)	12
Sound Rating	C

Data is based upon tests performed by Industrias Sola Basic in a controlled environment and representative of relative performance. Actual Performance can vary depending on operating conditions. Specifications are subject to change without notice.



Lighting & Power Source  
2707 Realty Road, Suite 110  
Carrollton, TX 75006  
Tel: (888) 385-4448  
Fax: (972) 418-5858

Made in Mexico by Industrias Sola Basic S.A de C.V.

24/05/02