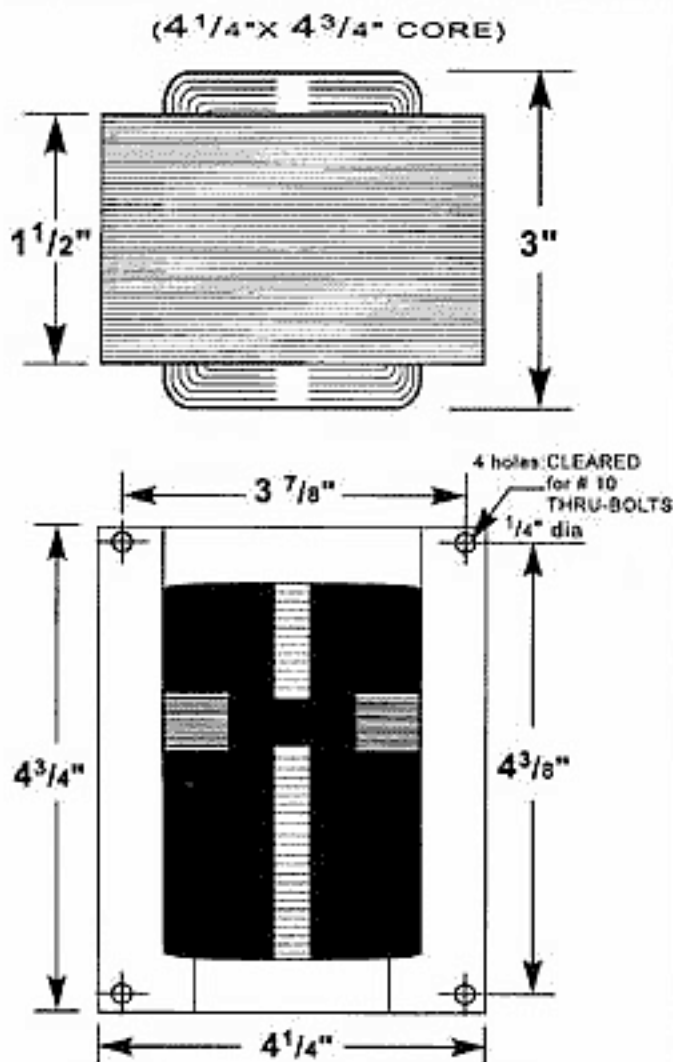


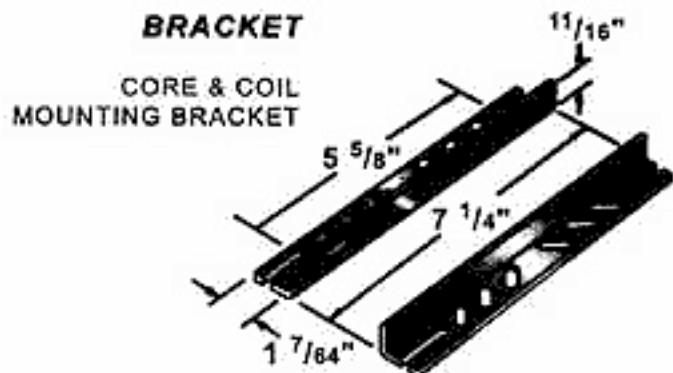
# CORE AND COIL



SOLA ballast leads wires are properly identified indicating on their surfaces the input voltages. ALL LEAD LENGTHS: 12 INCHES

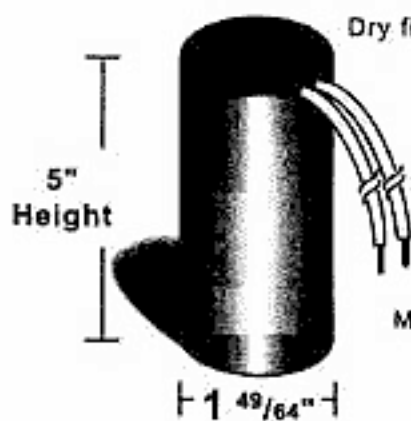
# TECHNICAL SPECIFICATION SHEET

250 WATT, MH M58 CWA  
BALLAST E-871-XX-251 60Hz.



**KB47**  
Mounting bracket for Core & Coil Ballasts (2 brackets with thru bolts)

**CAPACITOR**  
RATING 15 MFD±3%  
400 VAC, MIN  
Dry Film Capacitors  
Terral Plastic Case



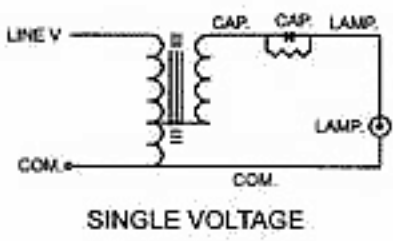
Dry film capacitor contains no oil; are furnished with 12\"/>

Max. case temp. 110°

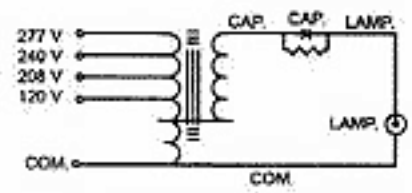
# ELECTRICAL CHARACTERISTICS

INPUT VOLTAGE RANGE	
POWER FACTOR	HIGH ±10%
MIN. STARTING TEMP.	-20°C

**C-01**  
MOUNTING CLIP for round case (Furnished as standard with B suffix ballasts)



SINGLE VOLTAGE



MULTI VOLTAGE  
120/208/240/277 VOLT CONNECTION

Line Voltage	Catalog Number	Circuit Type	Input Watts	Line Current (AMPS)			Ballast Net Weight (lbs)	UL Bench Top Rise Code 1079
				Operating	Open Circuit	Starting		
208	E-871-R-251	CWA	292	1.45	1.7	0.83	300	85
277	E-871-T-251	CWA	292	1.1	1.28	0.60	300	110
120 or 208 or 240 or 277	E-871-W-251	CWA	292	2.5	2.6	1.51	300	55
		CWA	292	1.45	1.7	0.83	300	85
		CWA	292	1.1	1.42	0.74	300	95
		CWA	292	0.63	0.98	0.60	300	110

# ORDERING INFORMATION

\*\*\*Add proper suffix to catalog number when ordering as indicated below:  
No suffix= Core and Coil Only  
B= Core and Coil, and Bracket  
C= Core and Coil, and Capacitor  
BC= Core and Coil, Capacitor and Bracket

File No. E182278

**ISB** SOLA BASIC BALLASTS

Lighting Source, Inc.  
6064 Jerome Trail  
Dallas, TX 75252  
Tel: (888) 385-4448 (972) 248-4748  
Fax: (972) 248-4748  
E-mail: lighting@airmail.net  
Website: www.ballastsource.com