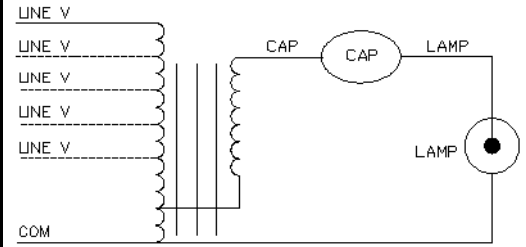


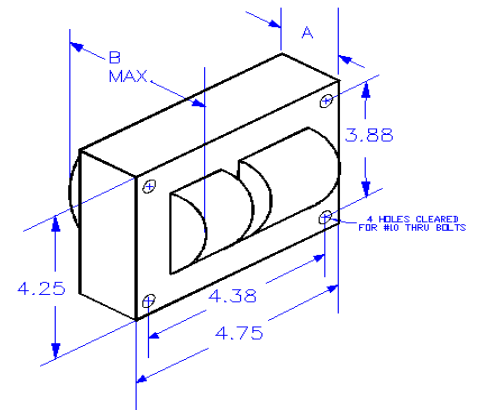


Input Volts		120	208	240	277	480
Circuit Type	CWA					
Power Factor	0.95					
Regulation						
Line Volts	± 10 %					
Lamp Watts	- 9 % + 9 %					
Line Current (Amps)						
Operating		2.54	1.37	1.27	1.09	.64
Open Circuit		1.49	0.72	0.75	0.63	0.38
Starting		2.17	1.20	1.09	0.94	0.55
Recommended Fuse		7	4	4	3	2
UL Temperature Ratings						
Insulation Class	H (180°C)					
Coil Temperature Code		A	A	B	B	B
Benchtop Coil Rise Primary		65	74	76	77	80
Benchtop Coil Rise Secondary		66	69	71	71	74
Input Watts		296	299	300	300	303
NOM Open Circuit Volts	310					
Current Crest Factor	1.68					
Input Voltage at Lamp Dropout		60	104	120	138	240
Min Ambient Starting Temp.	-20°F -30°C					
High Potential Test (Volts)						
1 Minute	2000					
1 Second	2400					
Open Circuit Voltage Test (Volts)						
Open Circuit Voltage	279 - 341					
Input Current		min	1.05	0.5	0.55	0.45
		max	1.75	0.85	0.90	0.75
Short Circuit Current Test (Amps)						
Secondary Current	2.25 - 2.75					
Input Current		min	1.60	0.90	0.80	0.70
		max	2.70	1.50	1.35	1.15
Core and Coil Specifications						
Dimension A"	2.00					
Dimension B"	3.75					
Weight (lbs.)	10					
Lead Lengths (in)	12					
Capacitor Specifications						
Microfarads	15					
Volts (min.)	400					
	Oval OIL Filled	DRY Film				
Case Size (in.)	1.75	1.8				
Height (in.)	2.9	4.2				
Temp Rating °C	90	100				
Starter Specifications						
Model Number	Not used					
	BTL					
Temp Rating °C						

Wiring Diagram Number
1091-912000-007



Outside Dimensions Drawing



Oil Capacitor Can Drawing
1011-007500-003

Dry Capacitor Can Drawing
1012-007500-001

Starter Case Drawing

