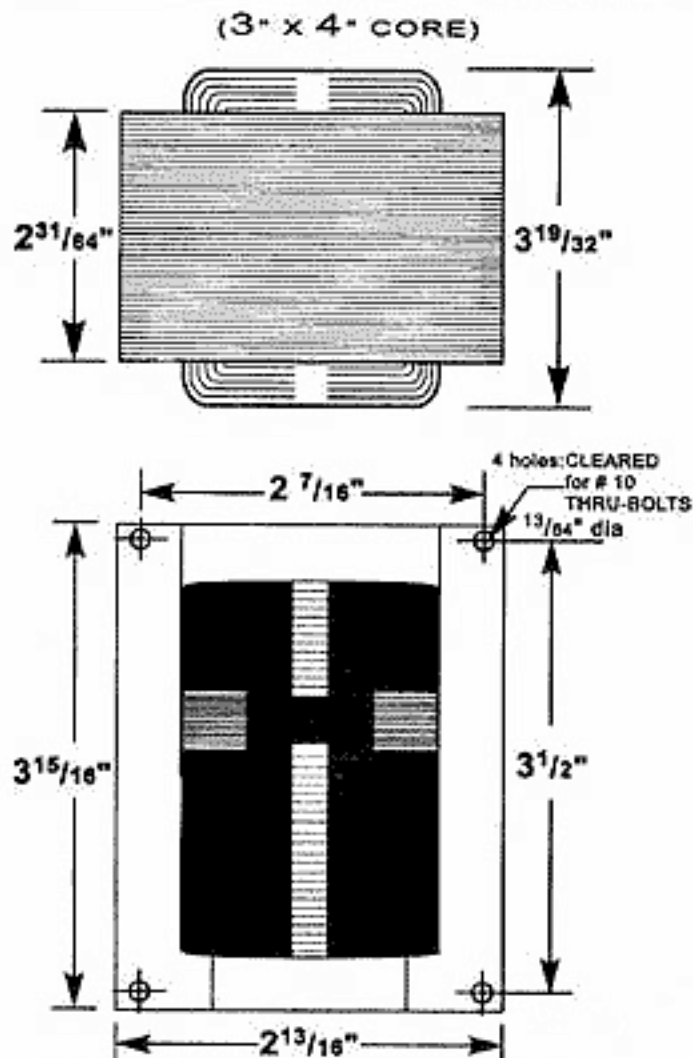


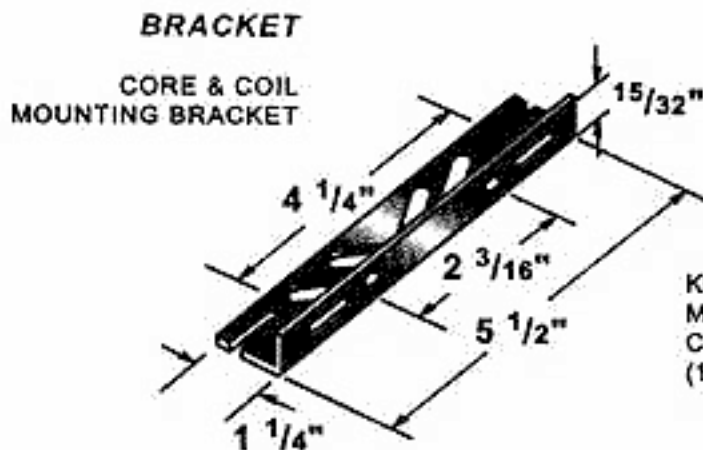
# CORE AND COIL



SOLA ballast leads wires are properly identified indicating on their surfaces the input voltages. ALL LEAD LENGTHS: 12 INCHES

# TECHNICAL SPECIFICATION SHEET

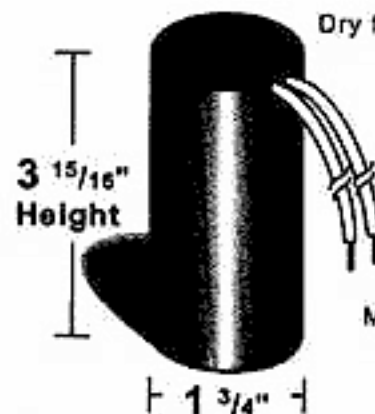
175 WATT, MH M57 CWA  
BALLAST E-871-XX-117 60Hz.



KB39  
Mounting bracket for  
Core & Coil Ballasts  
(1 bracket with thru bolts)

**CAPACITOR**  
RATING 10 MFD±3%  
400 VAC. MIN

Dry Film Capacitors  
Thermal Plastic Case

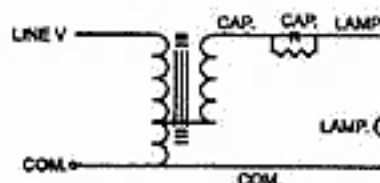


Dry film capacitor contains no oil; are furnished with 12" leads and includes discharge resistor

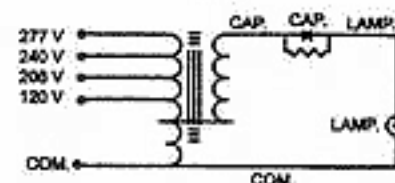
Max. case temp. 110°C

C-01

MOUNTING CLIP for round case (Furnished as standard with B suffix ballasts)



SINGLE VOLTAGE



MULTI VOLTAGE  
120/208/240/277 VOLT CONNECTION

## ELECTRICAL CHARACTERISTICS

INPUT VOLTAGE  
POWER FACTOR HIGH ±10%  
MIN. STARTING TEMP. -20°C

| Line Voltage             | Catalog Number | Type | Watts | Operating | Line Current (AMPS) |          |      | Open Circuit Voltage | Drop Out Voltage | Ballast Net Weight (lbs) | UL Bench Top Rise Code 1029 |
|--------------------------|----------------|------|-------|-----------|---------------------|----------|------|----------------------|------------------|--------------------------|-----------------------------|
|                          |                |      |       |           | Circuit             | Starting | Fuse |                      |                  |                          |                             |
| 208                      | E-871-R-117    | CWA  | 213   | 1.04      | 1.4                 | 0.65     | 305  | 100                  | 3                | 7.7                      | D                           |
| 277                      | E-871-T-117    | CWA  | 213   | 0.78      | 0.95                | 0.5      | 305  | 135                  | 2                | 7.7                      | C                           |
| 120 or 208 or 240 or 277 | E-871-W-117    | CWA  | 213   | 1.80      | 2.1                 | 1.15     | 305  | 60                   | 5                | 7.7                      | D                           |
|                          |                | CWA  | 213   | 1.04      | 1.4                 | 0.65     | 305  | 100                  | 3                | 7.7                      |                             |
|                          |                | CWA  | 213   | 0.9       | 1.7                 | 0.57     | 305  | 115                  | 3                | 7.7                      |                             |
|                          |                | CWA  | 213   | 0.78      | 0.95                | 0.5      | 305  | 135                  | 2                | 7.7                      |                             |

## ORDERING INFORMATION

\*\*\*Add proper suffix to catalog number when ordering as indicated below:

No suffix= Core and Coil Only  
B= Core and Coil, and Bracket  
C= Core and Coil, and Capacitor  
BC= Core and Coil, Capacitor and Bracket

File No. E182278



**ISB** SOLA BASIC<sup>®</sup>  
BALLASTS

Lighting Source, Inc.  
6064 Jerome Trail  
Dallas, TX 75252  
Tel: (888) 385-4448 (972) 248-3399  
Fax: (972) 248-4748  
E-mail: lighting@airmail.net  
Website: www.ballastsource.com