



PL-T Triple 4-Pin Base

PL-T ALTO 42W/830/4P A

Philips Linear Compact Fluorescent Lamps offer designers, specifiers and end-users new levels of efficiencies and versatility in sizes, configurations and application possibilities. With so many elegant fixtures available to complement their small size, high light output and advanced technology, Philips Energy Advantage lamps are fast becoming the preferred choice when maximum efficiency and sleek design solutions are required.

Product data

• General Characteristics

| | |
|--------------------------------|---------|
| Base | GX24q-4 |
| Base Information | 4P |
| Life to 10% fail Preheat EL,3h | 0 hr |
| Life to 10% fail Nonpreh EL,3h | 0 hr |
| Rated Avg. Life | 0 hr |
| Life to 50% fail Nonpreh EL,3h | 0 hr |
| LSF HF Preheat 2000h Rated,3h | 99 % |
| LSF HF Preheat 4000h Rated,3h | 98 % |
| LSF HF Preheat 6000h Rated,3h | 97 % |
| LSF HF Preheat 8000h Rated,3h | 90 % |
| LSF HF Preheat 12000h Rated,3h | 60 % |

• Light Technical Characteristics

| | |
|--------------------------------|--------------------|
| Color Code | 830 [CCT of 3000K] |
| Color Rendering Index | 82 Ra8 |
| Color Designation | Warm White |
| Color Temperature | 3000 K |
| Luminous Flux EL 25°C, Rated | 3050 Lm |
| Luminous Flux EL 25°C, Nominal | 3200 Lm |
| Lum Efficacy Rated HF 25°C | 80 (min) Lm/W |
| LLMF HF 2000h Rated | 92 % |

| | |
|---------------------------|-------|
| LLMF HF 4000h Rated | 88 % |
| LLMF HF 6000h Rated | 85 % |
| LLMF HF 8000h Rated | 84 % |
| LLMF HF 12000h Rated | 81 % |
| Design Temperature | 28 C |
| Chromaticity Coordinate X | 436 - |
| Chromaticity Coordinate Y | 401 - |

• Electrical Characteristics

| | |
|-------------------------------|---------|
| Watts | 42 W |
| Lamp Wattage EL 25°C, Rated | 38.0 W |
| Lamp Wattage EL 25°C, Nominal | 42 W |
| Lamp Voltage EL 25°C | 124 V |
| Lamp Current EL 25°C | 0.320 A |
| Dimmable | Yes |

• Environmental Characteristics

| | |
|-------------------------------|--------|
| Energy Efficiency Label (EEL) | B |
| Mercury (Hg) Content | 1.4 mg |

• Measuring Conditions

| | |
|---------------------|---------|
| Calibration Current | 0.320 A |
|---------------------|---------|

PHILIPS

PL-T Triple 4-Pin Base

HF Generator Rated Voltage Resistor 270 V 420 ohm

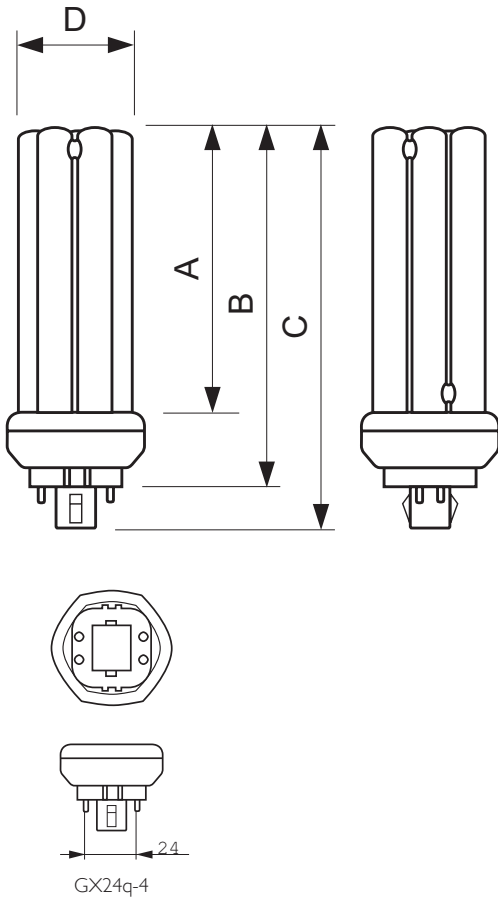
• Product Dimensions

Base Face to Base Face A 120.7 (max) mm
 Insertion Length B 145.0 (max) mm
 Overall Length C 160.7 (max) mm
 Diameter D 41 (max) mm

• Product Data

Product number 149013
 Full product name PL-T ALTO 42W/830/4P A
 Short product name PL-T 42W/830/4P/A/ALTO
 Pieces per Sku 1
 eop_pck_cfg 10
 Skus/Case 10
 Bar code on pack 46677149017
 Bar code on case 50046677149012
 Logistics code(s) 927911483020
 tpd_ilcos_cd FSM-42/30/1B-E-GX24q=4
 eop_net_weight_pp 83.000 gr

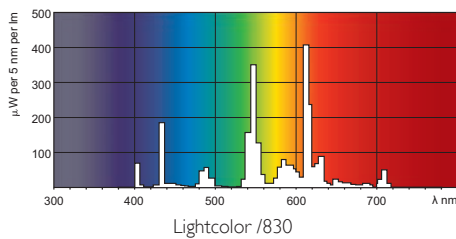
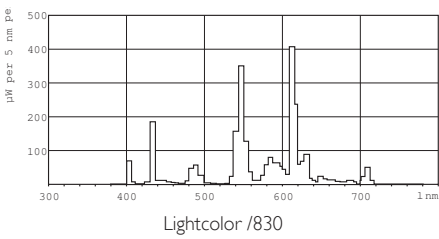
Dimensional drawing



PL-T ALTO 42W/830/4P A

| Product | A (Max) | B (Max) | C (Max) | D (Max) |
|------------------------|---------|---------|---------|---------|
| PL-T ALTO 42W/830/4P A | 120.7 | 145.0 | 160.7 | 41 |

Photometric data





© 2014 Koninklijke Philips N.V. (Royal Philips)
All rights reserved.

Specifications are subject to change without notice. Trademarks are the property of Koninklijke Philips N.V. (Royal Philips) or their respective owners.

www.philips.com/lighting

2014, July 15
data subject to change