

R20 Shaped Cold Cathode Lamps

- 25,000 Hours average rated life

Item #	Wattage	Description	Lamp Shape	M.O.L. (inches)	Diameter (inches)	Initial Lumens	Base Type
8R2003CL	3	Cold Cathode R20, Clear	R20	3.4	2.5	120	E26
8R2003F	3	Cold Cathode R20, Frost	R20	3.4	2.5	120	E26
8R2003P	3	Cold Cathode R20, Pink	R20	3.4	2.5	N/A	E26
8R2005CL	5	Cold Cathode R20, Clear	R20	4.0	2.5	200	E26
8R2005F	5	Cold Cathode R20, Frost	R20	4.0	2.5	200	E26
8R2005P	5	Cold Cathode R20, Pink	R20	4.0	2.5	N/A	E26

Applications

- Replaces Incandescent for: recessed cans, down lights and decorative.
- Ideal for frequent start applications such as signs requiring rapid flashing.

Special Application Options (ordering suffix)

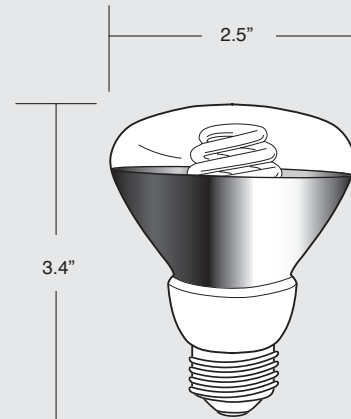
- 4100K (41K)
- Tip Base (PERM)
- Bulk Packed (BULK100)
- Shatter Coated (SS)
- Red (RD)
- Blue (BL)
- Green (GR)
- Yellow (Y)

Features and Benefits

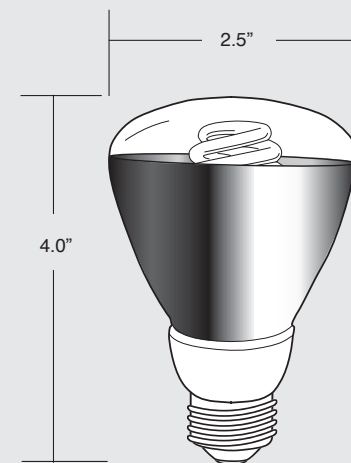
- Long life: 25,000 hours.
- Cold Cathode lamps are excellent for dimming and rapid cycling applications.
- Special phosphor coating procedure provides excellent color consistency.
- Color coating is resistant to fading and the effects of UV
- Replaces 15W to 30W incandescent lamps, saving up to 25 watts/bulb.
- UL Listed, product suitable for indoor or outdoor use.

Specifications (at full brightness)

Ballast Type	Electronic
Input Line Voltage	120VAC
Input Line Frequency	50/60HZ
Lamp Life (rated)	25,000 Hours
Color Temperature	2700K or 4100K
Color Rendering Index	82
Minimum Starting Temperature	-20 ° F
Maximum Operating Temperature	160 ° F
UL/C-UL Listed	Yes - E149698
FCC Compliance	47 CFR Part 18
Lamp Operating Frequency	45 KHZ
Lamp Current Crest Factor	< 1.60
Power Factor	> .90
Total Harmonic Distortion	< 33%



3 Watt R20



5 Watt R20



2 YEAR WARRANTY