



PL-S Short 2-Pin Base

PL-S ALTO 13W/835 GX23/2P 1CT

Philips Linear Compact Fluorescent Lamps offer designers, specifiers and end-users new levels of efficiencies and versatility in sizes, configurations and application possibilities. With so many elegant fixtures available to complement their small size, high light output and advanced technology, Philips Energy Advantage lamps are fast becoming the preferred choice when maximum efficiency and sleek design solutions are required.

Product data

• General Characteristics

Base	GX23 [Two-Pin Compact Fluorescent; high preheat current; four retainers]
Base Information	2P
Life to 10% failures EM	0 hr
Avg. Life	10000 hr
LSF EM 2000h Rated, 3h cycle	99 %
LSF EM 4000h Rated, 3h cycle	98 %
LSF EM 6000h Rated, 3h cycle	95 %
LSF EM 8000h Rated, 3h cycle	86 %

• Light Technical Characteristics

Color Code	835 [CCT of 3500K]
Color Rendering Index	82 Ra8
Color Designation	White
Color Temperature	3500 K
Luminous Flux EM 25°C, Nominal	825 Lm
LLMF EM 2000h Rated	94 %
LLMF EM 4000h Rated	91 %
LLMF EM 6000h Rated	89 %
LLMF EM 8000h Rated	86 %
Design Temperature	28 C
Chromaticity Coordinate X	406 -

Chromaticity Coordinate Y 396 -

• Electrical Characteristics

Energy Used	13 W
Lamp Wattage EM 25°C, Nominal	13 W
Lamp Voltage EM 25°C	56 V
Lamp Current EM 25°C	0.290 A
Dimmable	No

• Environmental Characteristics

Energy Efficiency Label (EEL)	B
Mercury (Hg) Content	1.4 mg

• Product Dimensions

Base Face to Base Face A	139.5 (max) mm
Insertion Length B	155.2 (max) mm
Overall Length C	177.7 (max) mm
Diameter D	28 (max) mm
Diameter D1	13 (max) mm

• Product Data

Order code	927902783521
Full product code	927902783521
Full product name	PL-S ALTO 13W/835 GX23/2P 1CT
Order product name	PL-S 13W/835/2P/ALTO 10PK
Pieces per pack	1

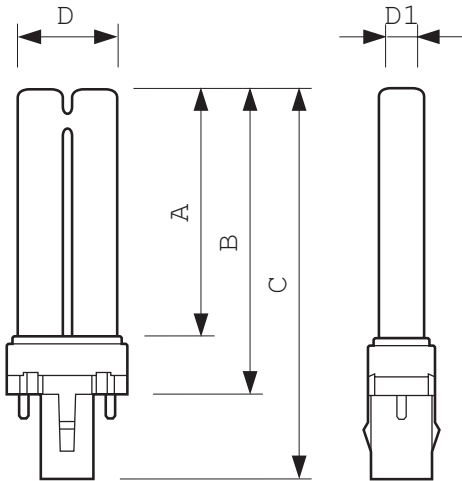
PHILIPS

PL-S Short 2-Pin Base

Packing configuration 10
 Packs per outerbox 10
 Bar code on pack - EAN1 46677146849
 Bar code on outerbox - EAN3 50046677146844

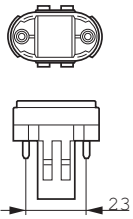
Logistic code(s) - 927902783521
 12NC
 ILCOS code FSD-13/27/1B-I-GX23
 Net weight per piece 35.000 gr

Dimensional drawing



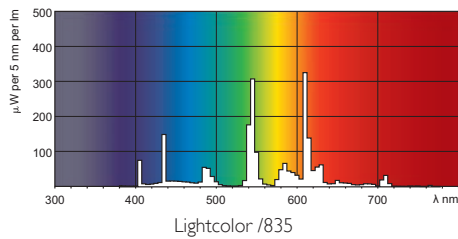
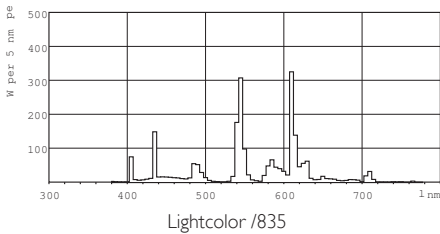
PL-S ALTO 13W/835 GX23/2P 1CT

Product	A (Max)	B (Max)	C (Max)	D (Max)	D1 (Max)
PL-S ALTO 13W/835/2P	139.5	155.2	177.7	28	13



GX23

Photometric data



© 2014 Koninklijke Philips N.V. (Royal Philips)
 All rights reserved.

Specifications are subject to change without notice. Trademarks are the property of Koninklijke Philips N.V. (Royal Philips) or their respective owners.

www.philips.com/lighting

2014, May 31
 data subject to change